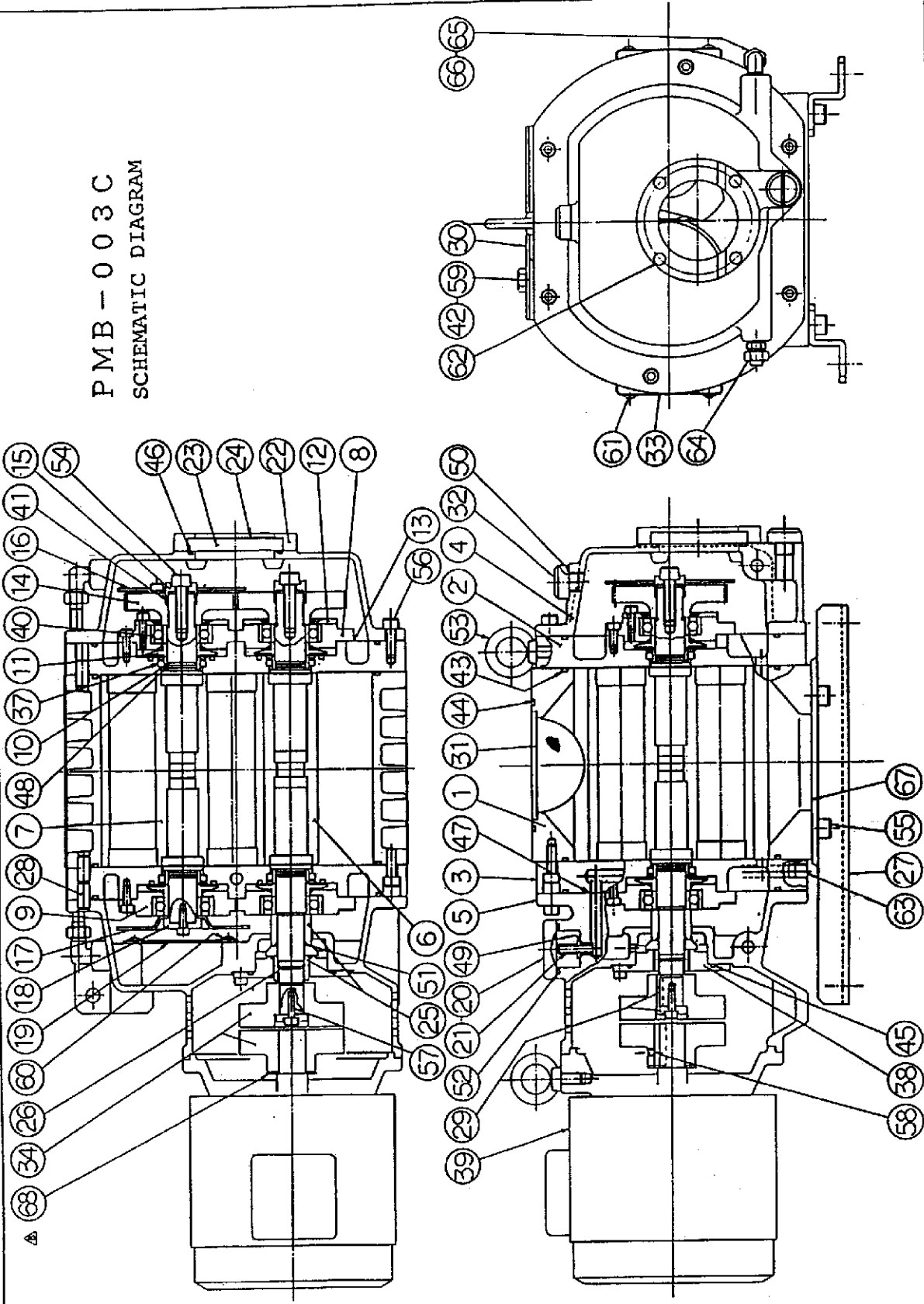
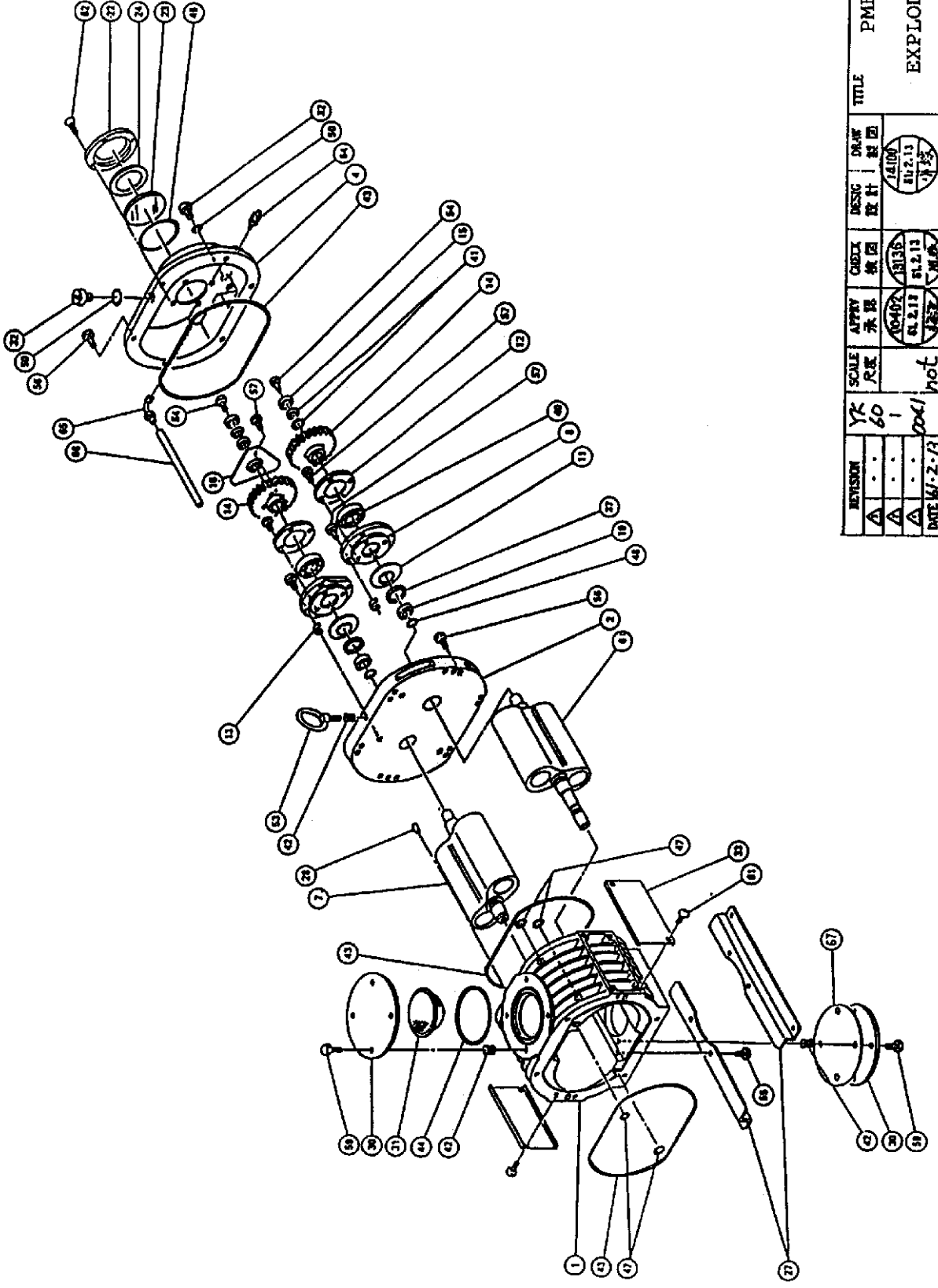


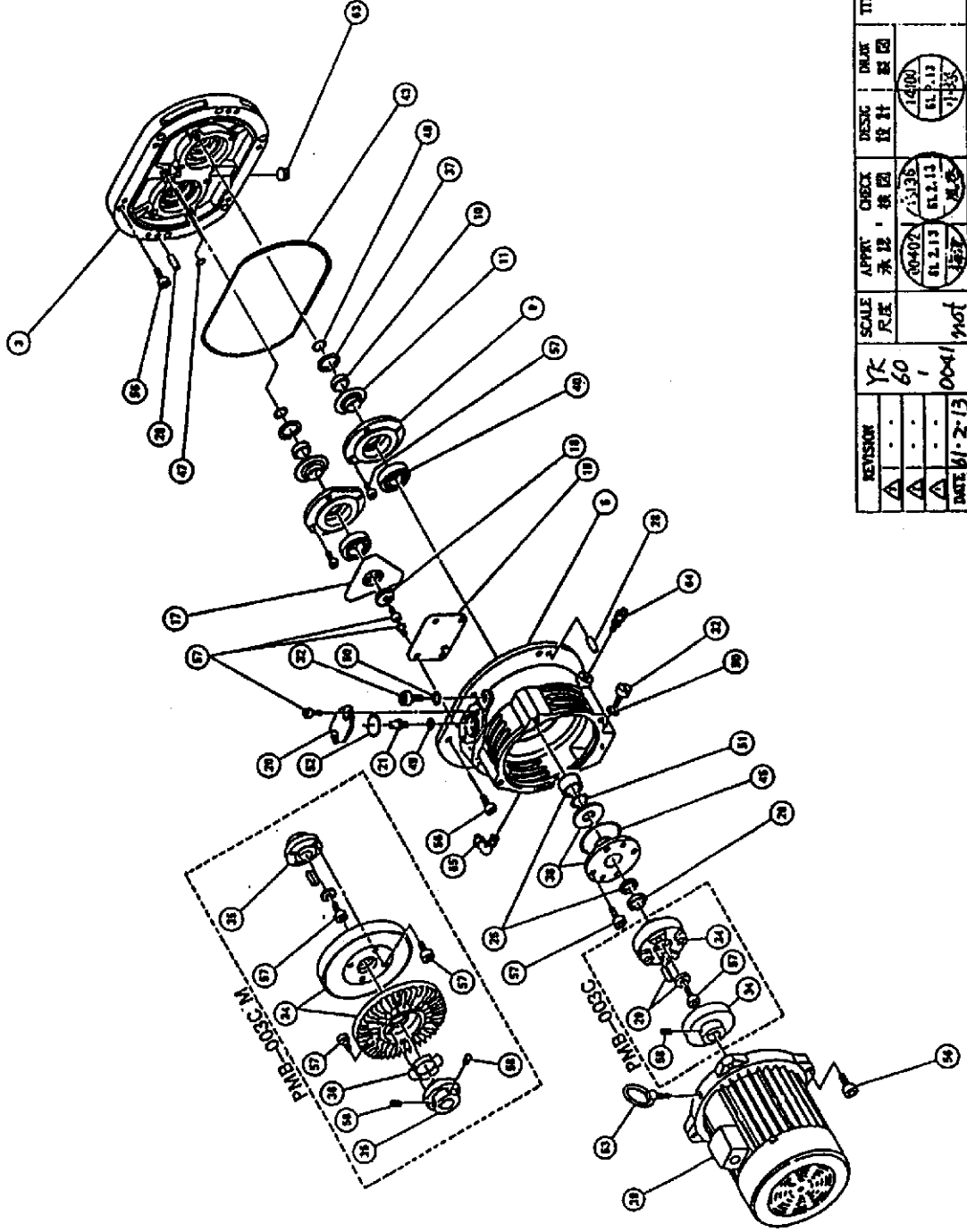
PMB - 003 C
SCHEMATIC DIAGRAM





REVISION	SCALE	APPROV	CHECK	DESIGN	DATE	TITLE
Δ	YK 60	承認	検閲	設計	1960.11.23	PMB-0032
Δ	1	10402	18136	14100	1961.2.13	EXPLODED VIEW (1)
Δ	10041	81.2.13	81.2.13	1961.2.13	1961.2.13	
DATE 11-2-13	not					

ULVAC INC. ZL-3222-01



REVISION	SCALE	APPROV	CHECK	DESIGN	DRAW	TITLE
Δ	YK	承認	検閲	設計	製図	PMB-0032
Δ	60	00-402	1/13/32	4/0/0	81.2.13	EXPLODED VIEW (2)
Δ	00x1	81.2.13	81.2.13	81.2.13	81.2.13	
DATE 81-2-13	mot					
ULVAC						DWG. NO. ZZ-3222-02

PMB-003C Parts List

No.	Description	Material *1	Q'ty	Remarks
1	Rotor casing	AC4A-T6	1	
2	Gear-side side cover	AC4A-T6	1	
3	Motor-side side cover	AC4A-T6	1	
4	Gear-side cover	AC4A-T6	1	
5	Motor-side cover	AC4A-T6	1	
6	Drive-side rotor shaft	AC4A-T6, S45C	1	
7	Driven-side rotor shaft	AC4A-T6, S45C	1	
8	Gear-side bearing case	FC25	2	
9	Motor-side bearing case	FC25	2	
10	Seal sleeve	SCM435H	4	
11	Slinger	S45C	4	
12	Bearing cap	S45C	2	
13	Spacer	SUS304	1 set	
14	Timing gear	SCM435H	2	
15	Thrust flange	S45C	2	
16	Gear-side oil stirring-up plate	A1000 type	1	
17	Motor-side oil stirring-up plate	A1000 type	1	
18	Oil stirring-up plate holder	S45C	1	
19	Oil trap cover	A1000 type	1	
20	Oil trap flange (A)	AC4A-T6	1	
21	Oil trap plug (A)	A5000 type	1	
22	Oil level gauge	A5000 type	1	
23	Level gauge glass	Hard glass	1	
24	Level gauge packing	Non asbestos	1	
25	Mechanical seal sleeve	S45C	1 set	
26	Sleeve nut	S45C	1	
27	Pump support	SS41	1 set	
28	Knock pin	S45C	6	
29	Coupling key	S45C	1 set	
30	Intake port blind plug	A1000 type	2	
31	Intake port mesh	SUS304	1	

No.	Description	Material *1	Q'ty	Remarks
32	Drain plug	A5000 type	4	
33	Nameplate	SPCC	2	
34	Coupling		1 set	ABSOFLEX MARK II M 74
35	-----			
36	-----			
37	Teflon seal		4	
38	Mechanical seal		1 set	
39	0.75kW motor		1	2P, 0.75kW
40	Bearing	SUJ	4	6205 P5
41	Power lock		2 sets	PL022 × 026E
42	Helisert	SUS	9	M10 × 1, 5DNs
43	O-ring	Fluororubber	4	ISO268 (JIS B 3601-568- 2680)
44	O-ring	Fluororubber	1	V100
45	O-ring	Fluororubber	1	G65
46	O-ring	Fluororubber	1	G70
47	O-ring	Fluororubber	5	S12
48	O-ring	Fluororubber	4	S22
49	O-ring	Fluororubber	1	P9
50	O-ring	Fluororubber	4	P18
51	O-ring	Fluororubber	1	P22
52	O-ring	Fluororubber	1	P32
53	Eye bolt	SS41	2	M10
54	Allen screw (hexagon socket head cap screw)	SCM435	2	M10 × 35
55	Allen screw (hexagon socket head cap screw)	SCM435	4	M10 × 20
56	Allen screw (hexagon socket head cap screw)	SCM435	28	M8 × 22
57	Allen screw (hexagon socket head cap screw)	SCM435	35	M6 × 14
58	hexagon socket set screw	SCM435	1	M6 × 8
59	Hexagon head bolt	SS41	8	M10 × 16

No.	Description	Material *1	Q'ty	Remarks
60	Cross-recessed head machine screw	SUS	4	M6 × 8
61	Cross-recessed head machine screw	SS41	4	M6 × 6
62	Cross-recessed head machine screw	SUS	4	M6 × 20
63	Hexagon socket head tapped plug	SUS	1	PT3/8 (for hydraulic use)
64	Synflex joint	SUS	2	CIN-3/8-PT-3/8
65	Synflex joint	SUS	2	LIN-3/8-PT-3/8
66	Synflex tube	Nylon	1	N2-1-3/8 (blue)
67	Exhaust port blind packing	NBR	1	
68	Coupling spacer	SUS	1	

*1 According to JIS standard.