

EXHAUST VALVE ASSEMBLY  
Model DD100 Only

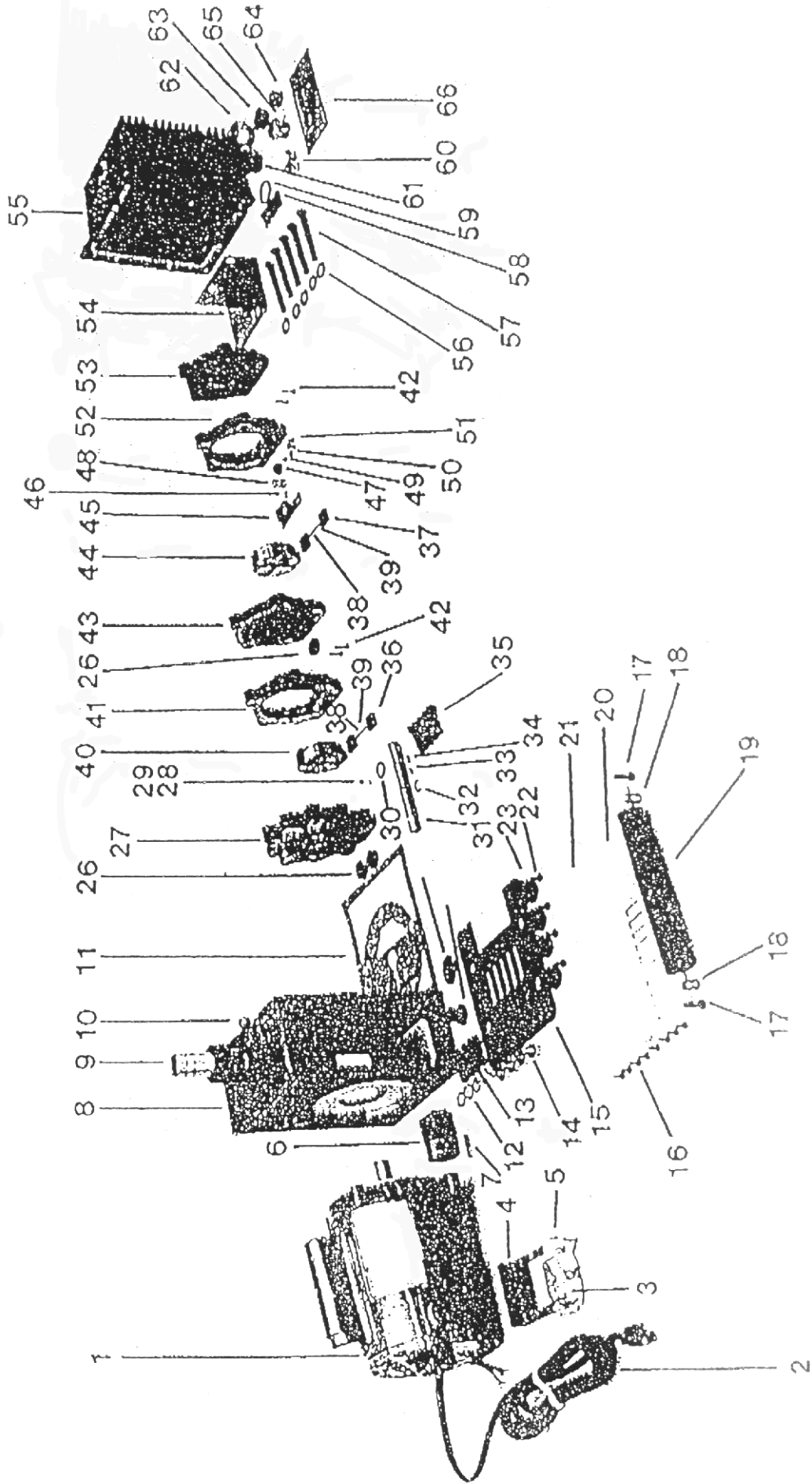


FIG. 2-EXPLODED VIEW, MODELS DD-50 and DD-100 VACUUM PUMPS

## Parts List

ITEM NO.	DESCRIPTION	QTY.	MODEL DD-50	MODEL D-100
1.	Motor, 1/3 HP, 115/230 V, 50 Hz, 1 Ph, (E.P.)	1	538247	N/A
	Motor, 1/3 HP, 115/230 V, 60 Hz, 1 Ph	1	538248	
	Motor, 1/3 HP, 230 V, 50 Hz, 1 Ph	1	538249	
	Motor, 1/3 HP, 115/230 V, 60 Hz, 1 Ph, (E.P.)	1	538250	
2.	*Cord & Plug, 120 V	1	353015	
	*Cord & Plug, 230 V	1	353017	
3.	*Switch, Motor	1	240173	
4.	*Mounting Bracket, Switch	1	538307	
5.	Screw, 6-32x3/8 in. Pan Hd. S.S.	1	458206	
6.	Coupling	1	254011	
7.	Key	1	527496	
8.	Adapter Plate Assembly — <i>LOWER GASKET # 539134</i>	1	539574	
9.	Hose Nipple Assembly, Consists of:	1	10583	
	Hose Nipple (Pump Intake)	1	10723	
	"O" Ring	1	232136	
	Body	1	530690	
	Nut	1	530750	
10.	Gas Ballast, Consists of:	1	251299	
	Ball, Viton	1	328135	
	Spring	1	351050	
	Cap	1	221152	
	Body	1	540194	
11.	Gasket, Oil Reservoir	1	532791	
12.	Lockwasher, 3/8" Split	4	433948	
13.	Screw, 3/8-16x1" Socket Hd. Cap	4	413674	
14.	Screw, 5/16-18x1/2" Hex Hd.	4	449394	
15.	Pump Base	1	539937	
16.	Screw, 8-32x3/8", P.H. S.S. Self Tap	8	458306	
17.	Screw, 1/4-20x5/8", But. Hd. Cap	2	449407	
18.	Locking Insert, 1/4-20	2	449705	
19.	Handle	1	532785	
20.	Side Plate, Right Hand	1	538453	
21.	Side Plate, Left Hand	1	538452	
22.	Screw, 10-32x3/8" Pan Head S.S.	4	456706	
23.	Bumper	4	241029	
24.	Plug, Intake (Plastic)	1	221116	
25.	Disc, Shipping (Intake)	1	536509	
26.	Shaft Seal	3	342031	
27.	End Plate, Intake	1	539071	
28.	Ball, Steel, 1/4" Dia.	1	328103	
29.	Spring	1	525498	
30.	Washer, Thrust	1	525683	
31.	Shaft	1	538431	538430
32.	Ring, Retaining	1	325023	
33.	Key, Intake	1	538560	527495
34.	Key, Exhaust	1	538560	

PARTS LIST (Contd.)

ITEM NO.	DESCRIPTION	QTY.	MODEL DD-50	MODEL DD-100
35.	Screw, 5/16-18x1-1/4:"Soc. Hd."	5		413647
36.	Vane, Intake	2	532783	535797
37.	Vane, Exhaust	2		532783
38.	Pin, Vane	2		525686
39.	Spring, Vane Pin	2		539060
40.	Rotor, Intake	1	539061	539062
41.	Stator, Intake	1	539066	537774
42.	Screw, 8-32x5/8" P.H. S.S. Machine Screw	4		456510
43.	Center Plate	1		539070
44.	Rotor, Exhaust	1		532792
45.	Retainer, Exhaust Valve & Spring	1		539425
46.	Retainer, Spring	1		538208
47.	Exhaust Valve, Rubber	1		538241
48.	Spring, Exhaust Valve	1		539059
49.	Screw, 6/23x3/16" P.H. S.S. Machine Screw	1		456403
50.	Lockwasher, #6 Int.	2		449478
51.	Screw, 6/32x1/4" P.H. S.S. Machine Screw	2		456404
52.	Stator, Exhaust	1		539069
53.	End Plate, Exhaust	1		539034
54.	Baffle	1		538232
55.	Housing, Oil Reservoir	1		536588
56.	Washer, 5/16" Stainless Steel	5		434206
57.	Screw, 5/16-18 Hex. Hd. Cap	5	412761(3")	540137(3-3/4")
58.	Screw, 8-32x1/2" Soc. Hd. Stl. Cap	8		413573
59.	"O" Ring, 1"x1-1/4"x1/8"	1		232081
60.	Drain Valve	1		251288
61.	Plug, Shipping (Exhaust)	1		221138
	Exhaust Plug Assembly, Consists of:	1		539958
62.	Plug	1		538251
63.	Cap	1		227032
64.	Foam Plug, 15/16" Dia. x 1/2"	1		171825
65.	Sight Glass, Oil Level	1		280027
66.	Nameplate, Caution	1		314374
67.	Screw, 10-24x1/4", P.H., Machine	1	N/A	456606
68.	Washer, #10 Flat	1	N/A	449615
69.	Exhaust Valve	1	N/A	532784

NOTE: Parts shown with an asterisk (\*) are not supplied on explosion-proof vacuum pumps.