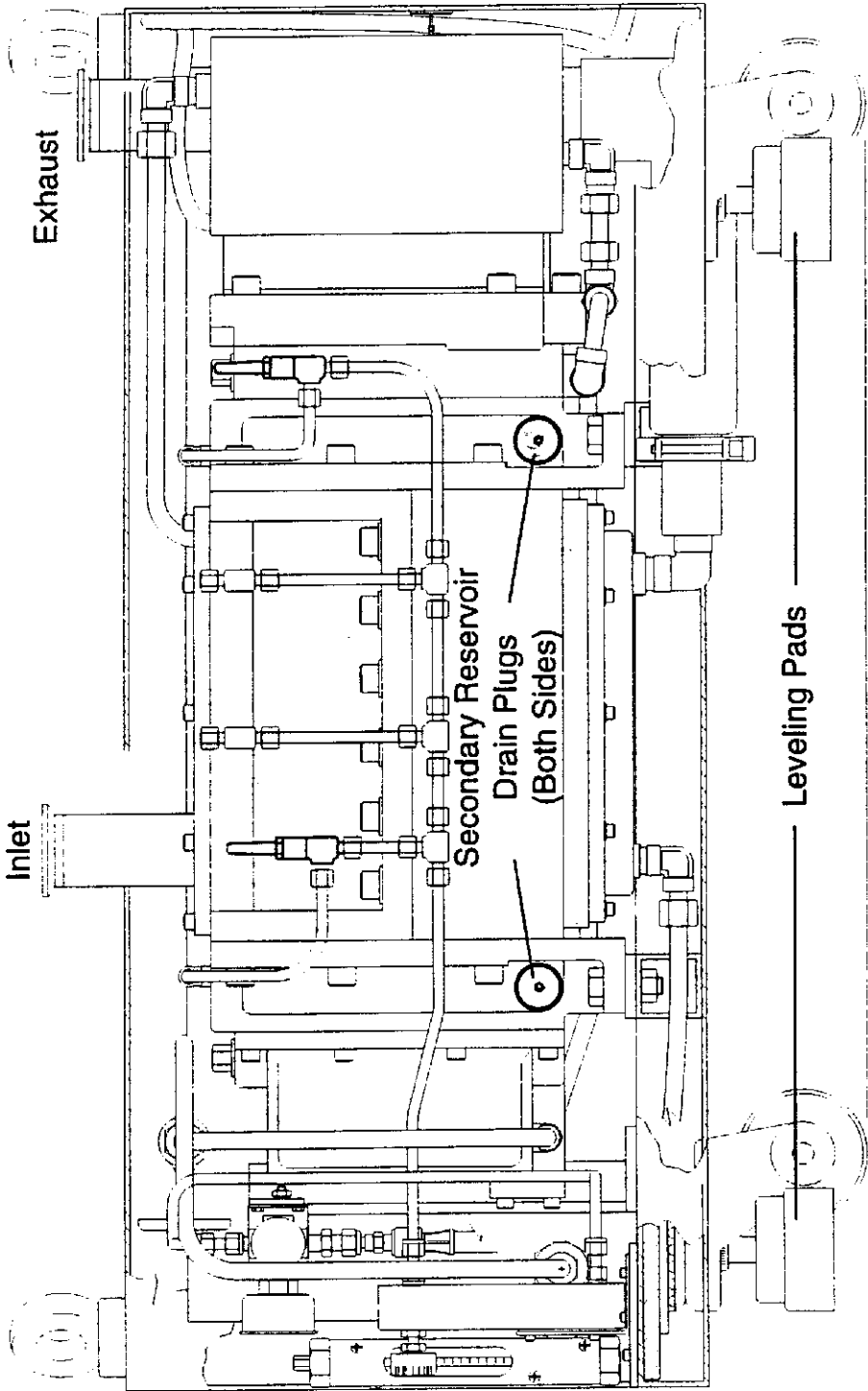


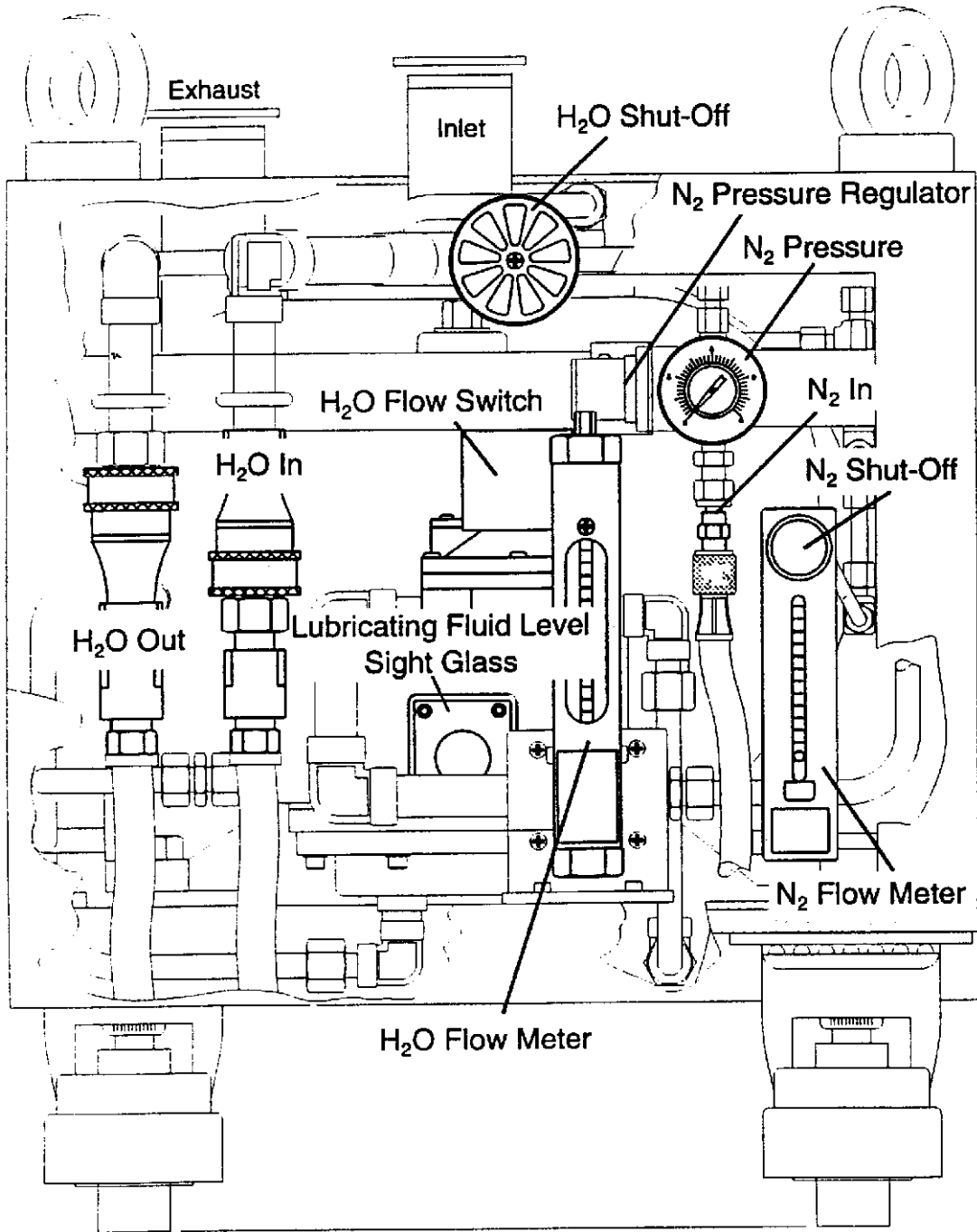
2.2.2 40x20, Side View

Typical Configuration – Refer to Attachments for Specific Information.



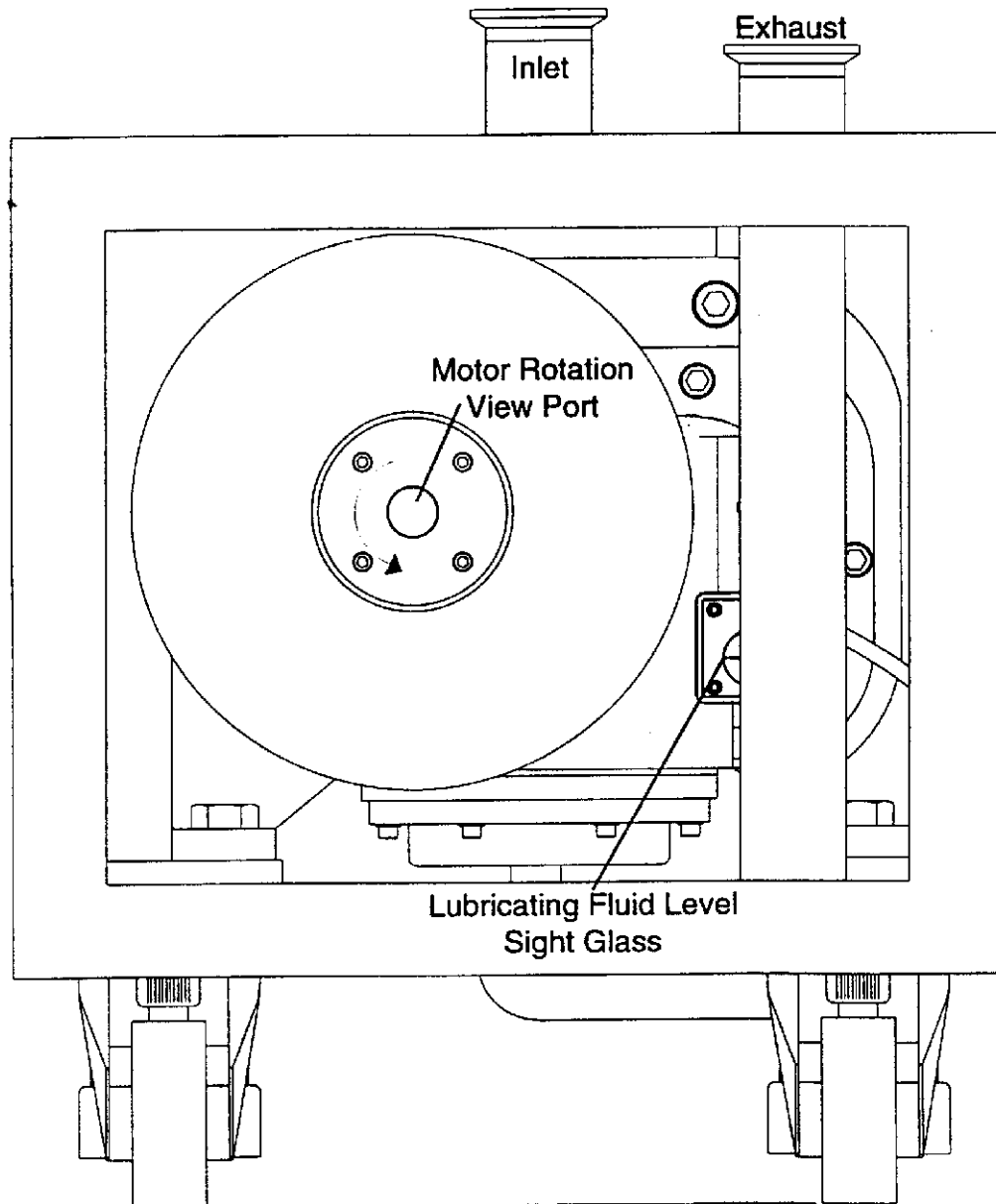
2.2.3 40x20, Gear End

Typical Configuration – Refer to Attachments for Specific Information.



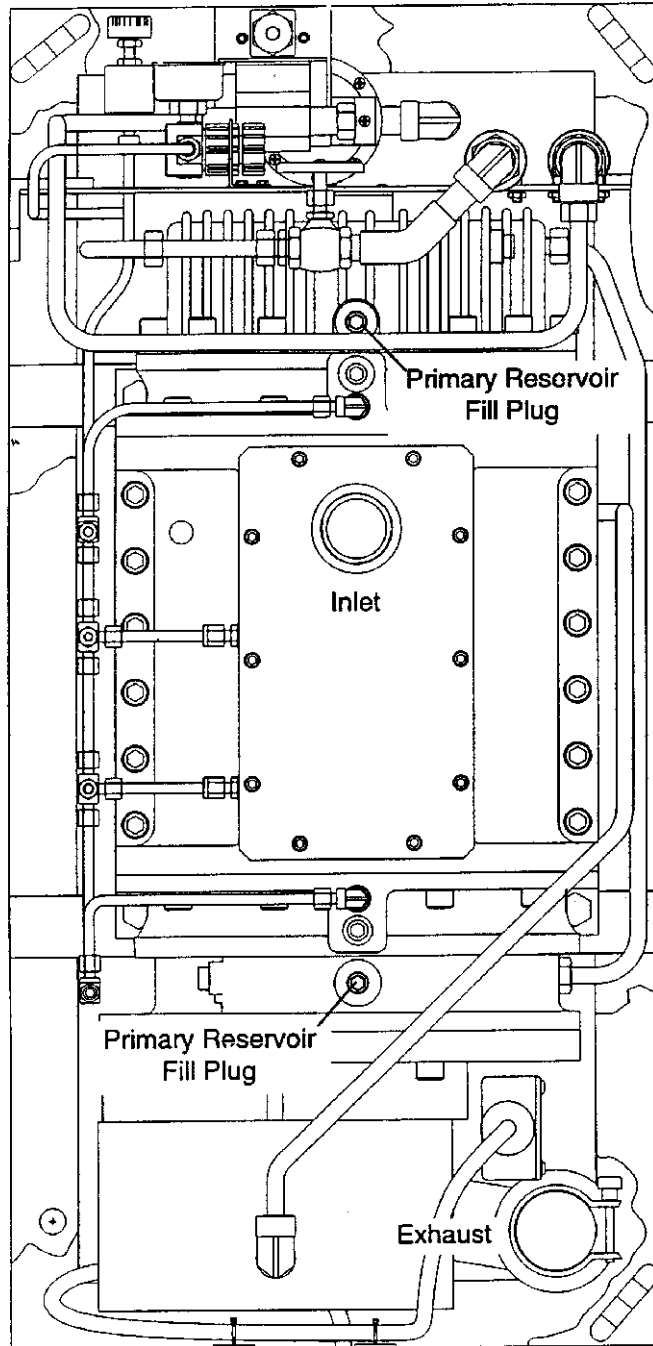
**2.2.4 40x20, Motor End**

Typical Configuration – Refer to Attachments for Specific Information.



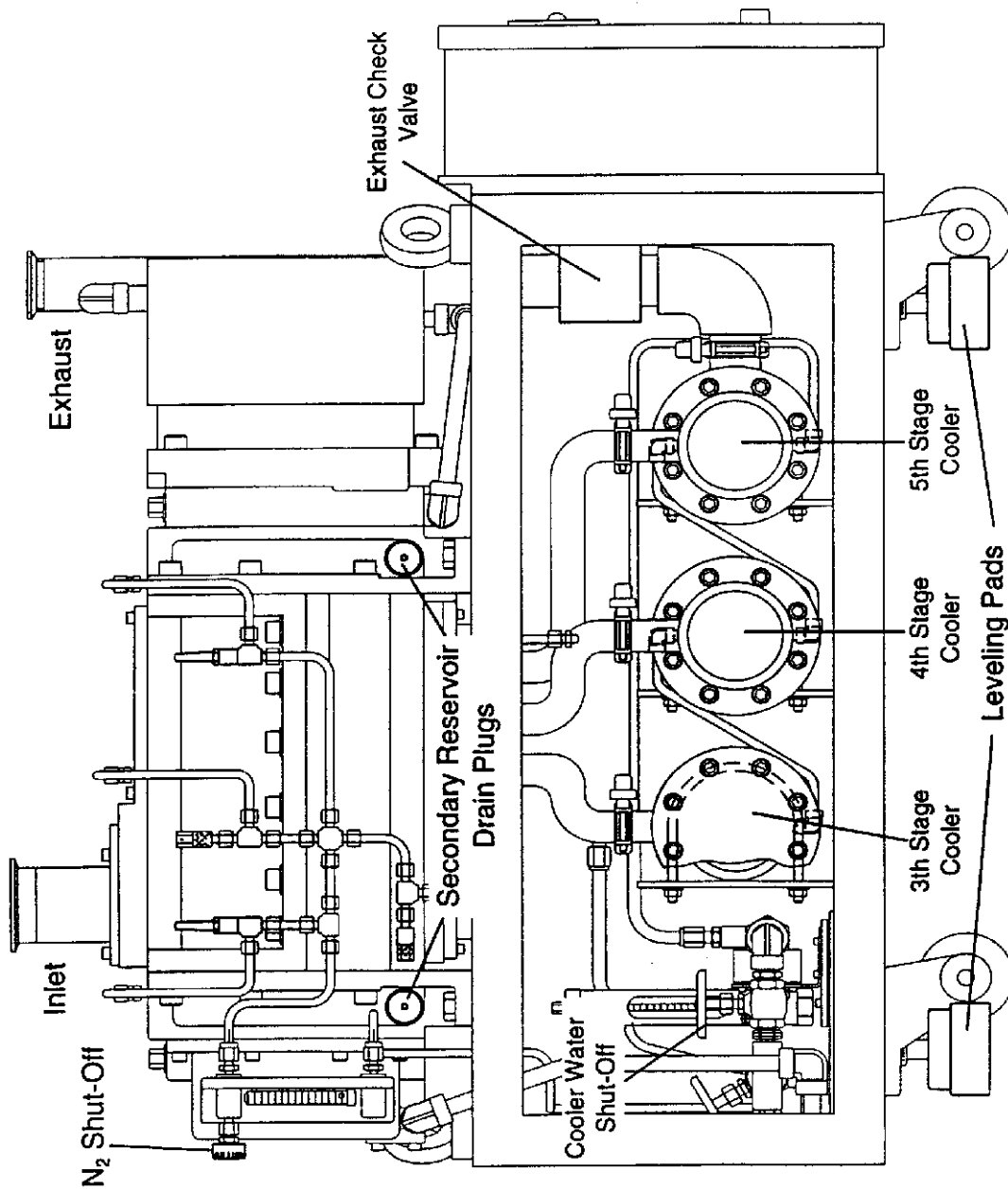
**2.2.5 40x20, Top View**

Typical Configuration – Refer to Attachments for Specific Information.



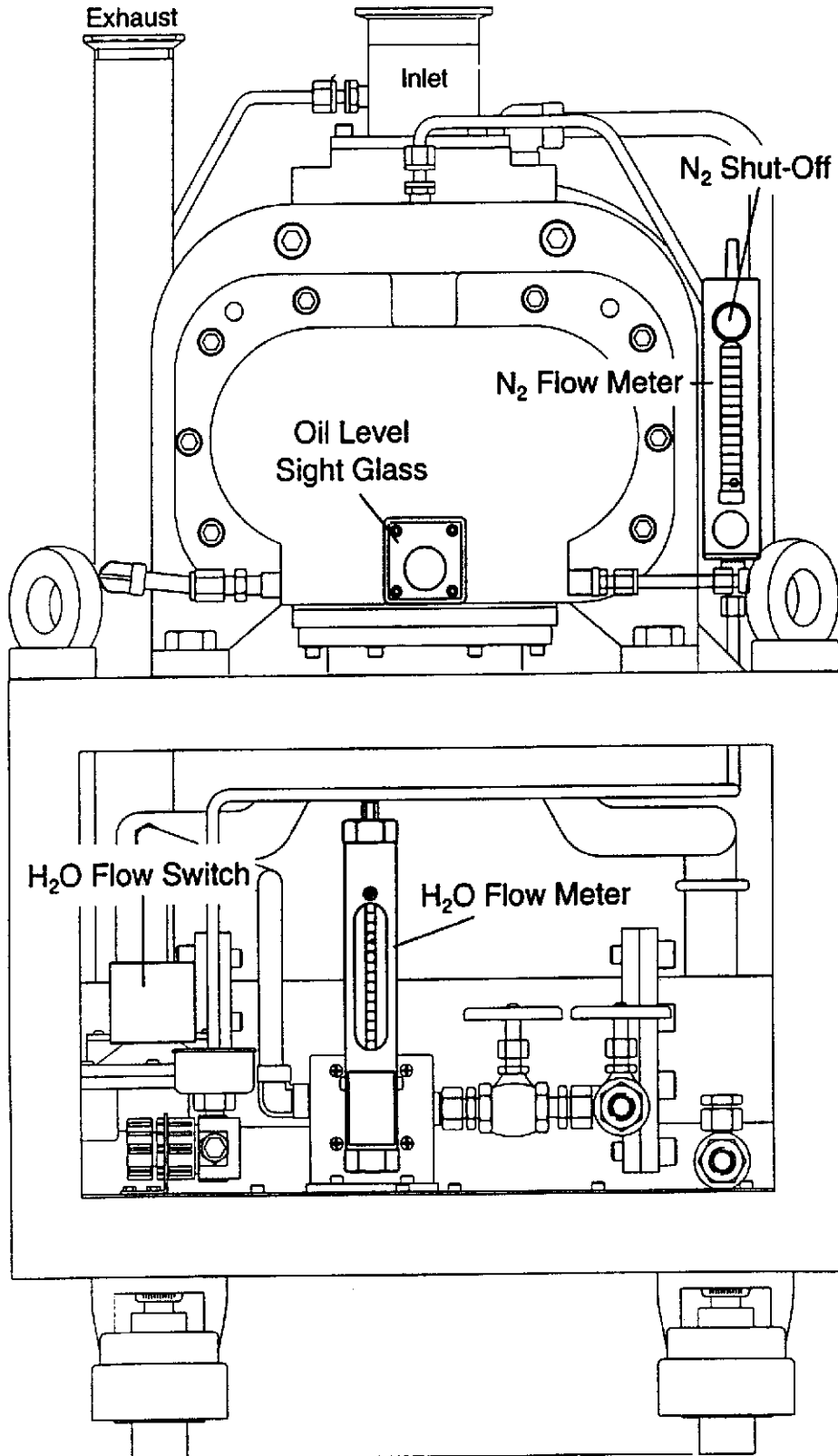
2.2.6 40x20 w/Coolers, Side View

Typical Configuration – Refer to Attachments for Specific Information.



### 2.2.7 40x20 w/Coolers, Gear End

Typical Configuration – Refer to Attachments for Specific Information.



**2.2.8 40x20 w/Coolers, Motor End**  
Typical Configuration – Refer to Attachments for Specific Information.

