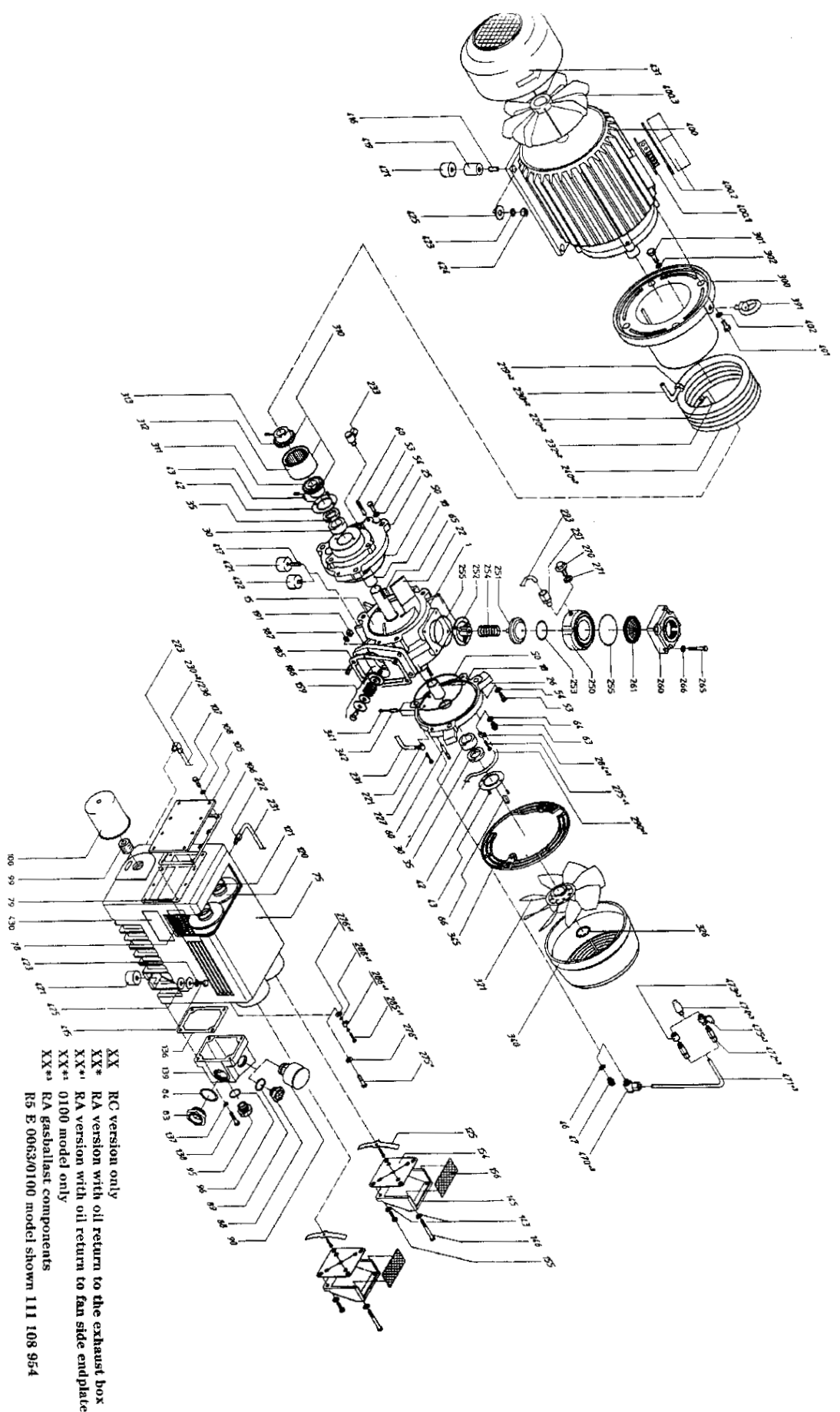
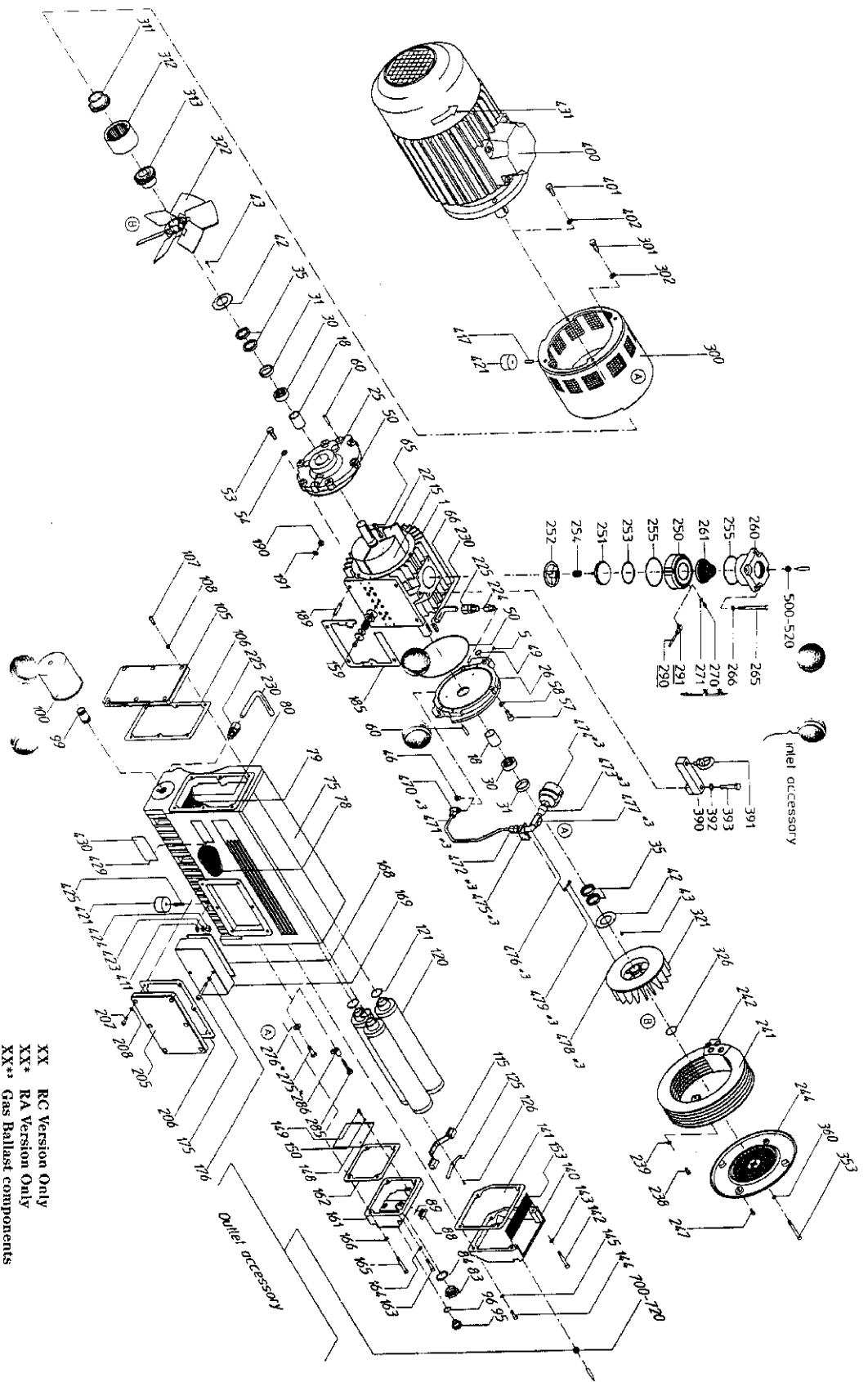


- XX RC version only
- XX* RA version with oil return to the exhaust box
- XX** RA version with oil return to fan side endplat.
- XX** 0040 60hz only
- XX** RA gashallast components
- XX** USA model only
- R5 E 0040 model shown 11 1 108 952



- XX RC version only
- XX* RA version with oil return to the exhaust box
- XX** RA version with oil return to fan side endplate
- XX*** 0100 model only
- XX**** RA gasballast components
- R5 E 0063/0100 model shown 111 108 954



XX RC Version Only
 XX* RA Version Only
 XX** Gas Ballast components
 R5 E 0250 model shown 111 506 442 B

0025 - 0250 "C" & "E" Parts List

Ref.	Description	Ref.	Description	Ref.	Description
1	Cylinder	150	Lockwasher	285	Screw, oil recirculation
5	Screw, socket Set	153	Baffle, exhaust	286	Banjo fitting housing
15	Rotor	154	Gasket, exhaust housing	288	Gasket ring
18	Bearing sleeve	155	Screw, exhaust housing	290	Oil return line, RA version
22	Vane	156	Screen, exhaust housing	291	Hyd. fitting, straight
25	Endplate, motor side	159	Valve assembly, exhaust	293	Oil return line, RC version
26	Endplate, fan side	161	Service block, oil	297	Fan guard screen
30	Bearing	162	Gasket, exh. service block	298	Screw, fl. head, slotted
31	Spacer, bearing to Seal	163	Screw, socket head cap	299	Washer, star
35	Shaft seal (48700500)	164	Lockwasher	300	Motor mounting bracket
42	Retainer ring	165	Screw, socket head cap	301	Screw hex head cap
43	Screw, hex head	166	Lockwasher	302	Lockwasher
46	Plug, R 1/4"	168	O-ring	306	Adapter, motor flange
	Gasket-ring	169	Plate, valve cover/oil baffle	307	Screw, socket head cap
47	Plug	175	Screw, socket head cap	310	Coupling assembly
49	O-Ring	176	Lockwasher	311	Coupling half, pump side
50	O-ring	185	Gasket, cylinder/exhaust box	312	Coupling sleeve
53	Screw, hex head	186	Stud	313	Coupling half, motor side
54	Lockwasher	187	Lockwasher	319	Spacer, motor to coupling
57	Screw, socket head cap	189	Stud	320	Spacer
58	Lockwasher	190	Lockwasher	321	Fan, axial
60	Taper pin	191	Nut	322	Fan
63	Plug	205	Plate, valve access, exhaust box	325	Spacer
64	Gasket-ring	206	Gasket, cover plate	326	Retainer ring, fan
65	Shaft key	207	Screw, socket head cap	340	Fan guard
66	Shaft key	208	Lockwasher	341	Screw, sheet metal
75	Exhaust box	219	Hydraulic fitting	342	Sleeve, plastic
78	Baffle, expanded metal	220	Hydraulic fitting	345	Fan cover shield
79	Demister pad	221	Hydraulic fitting banjo	353	Screw, socket head cap
80	Baffle, sheet metal	222	Hydraulic fitting, straight	360	Lockwasher
83	Oil sight glass	223	Hydraulic fitting, elbow	390	Adapter, eye bolt
84	Gasket ring, sight glass	224	Hydraulic fitting, banjo	391	Bolt, eye
88	Oil fill plug	225	Hydraulic fitting, straight	392	Lockwasher
89	Gasket ring, fill plug	227	Screw, oil recirculation	393	Screw, hex head cap
90	Exhaust pressure gauge	230	Oil tubing	400	Motor
95	Oil drain plug	231	Oil tubing	401	Screw, hex head cap
96	O-ring	232	Oil cooling coil	402	Lockwasher
99	Pipe nipple		Oil tubing	409	Spacer, foot
100	Oil filter, spin-on type	233	Hydraulic banjo fitting	411	Washer, flat
105	Cover, exhaust box	236	Oil tubing	415	Screw, hex. head cap
106	Gasket, exhaust box cover	238	Screw, socket head cap	416	Stud, motor foot
107	Screw, exhaust box	239	Lockwasher	417	Set screw
108	Lockwasher	240	Oil cooling coil	419	Spacer, motor foot
115	Bracket, filter	241	Oil cooler	421	Foot, rubber
120	Exhaust filter	242	O-ring	422	Foot, rubber
121	O-ring	244	Fan cover	423	Lockwasher
125	Filter spring assembly	247	Screw, socket head cap	424	Hex nut
126	Screw, filter spring	250	Housing, lower, inlet	425	Stud
136	Gasket, exhaust box, service block	251	Valve plate, inlet	429	Rivet
137	Lockwasher	252	Valve plate guide	430	Name plate
138	Screw	253	O-ring	431	Label "arrow"
139	Service block	254	Spring, valve plate	436	Label, maintenance
140	Plate/housing, exhaust	255	O-ring	470	Hyd. fitting banjo
141	Gasket, exh. flange	260	Inlet flange, upper	471	Tubing, gas ballast
142	Screw, socket head cap	261	Inlet screen	472	Valve, check gas ballast
143	Lockwasher	265	Screw, hex head cap	473	Reducer, bell
144	Screw, socket head cap	266	Lockwasher	474	Filter, gas ballast
145	Housing, exhaust port	270	Plug	475	Valve, pet cock (optional)
146	Screw, exhaust housing	271	Gasket ring	476	Elbow, gas ballast
148	Baffle, oil, service block	275	Oil return valve	477	Valve, gas ballast
149	Screw, socket head cap	276	Gasket ring	478	Screw, hex. head cap
		284	Hydraulic, fitting banjo	479	Lockwasher