

MODEL 615-4MH HORIZONTAL FLOW BLOWER W/4 MECHANICAL SEALS

SERIAL NO.

SYM	PART NO.	DESCRIPTION	REF. DWG/ COMP. LIT.	QTY	UM	RSP
	424-345-013	LIST 615 HORIZ FLOW BLWR		1	EA	
1	085-031-425	O RING 1-3/4 ID X 2 OD		4	EA	✓
2	085-046-310	RING SEAL PISTON 30% CARBON		4	EA	✓
3	085-008-747	PIN,ROLL,STL,1/16D/AX1/4 LG		4	EA	
4	085-025-328	O-RING VITON 2-1/4 ID X 1/8 CS		4	EA	✓
5	085-046-296	SEAL ASSY MECH FACE CARBON/SS		4	EA	✓
6	085-037-788	WASHER SPRING 1.988 ID X 2.658		4	EA	
7	085-044-345	BRG BALL STL 50MM ID X 90MM OD	*	4	EA	✓
8	085-038-833	SHIM RD ST .062 X 1-3/4 ID		4	EA	
9	085-038-834	SHIM RD ST .032 X 1-3/4 ID		4	EA	
10	085-038-835	SHIM RD ST .025 X 1-3/4 ID		4	EA	
11	085-038-836	SHIM RD ST .008 X 1-3/4 ID		4	EA	
12	085-038-837	SHIM RD ST .007 X 1-3/4 ID		4	EA	
13	085-038-838	SHIM ARBOR RD STL 1-3/4 ID X		4	EA	
14	085-038-839	SHIM RD ST .002 X 1-3/4 ID		4	EA	
15	085-038-256	GEAR HELICAL SET 6' PD		1	ST	
16	001-011-046	SCR SET HOLLOW 3/8-16 X 5/8		2	EA	
17	001-036-018	SCR SOC 1/2-13 X 1-1/2 LG		3	EA	
18	008-002-044	PIN DOWEL HARD STL 1/2 X 2		4	EA	
19	008-002-019	PIN DOWEL STL 1/4 DIA X1-1/4		3	EA	
20	001-001-053	SCR HEX 3/8-16 X 4 LG STL		44	EA	
21	001-002-019	SCR SOC STL 1/4-20 X 3/8 STL		9	EA	
22	001-011-024	SCR SET CUP 1/4-20 X 1/2		2	EA	
23	085-027-094	RING RETAINER EXT SPRING STL		1	EA	✓
24	085-038-197	SEAL OIL 1.75 ID X 2.750 OD X		1	EA	✓
25	001-003-047	SCR RD HD MACH 10-24 X 1/2 STL		8	EA	
26	085-015-684	SCR BUT HD SOC 3/8-16 X 3/4		8	EA	
27	075-040-012	PLUG TUBE 3/16 PORT SZ #3		1	EA	

RSP = RECOMMENDED SPARE PART
UM = UNIT OF MEASURE

MODEL 615-4MH HORIZONTAL CENTRAL FLOW BLOWER W/4 MECHANICAL SEALS

SERIAL NO.

SYM	PART NO.	DESCRIPTION	REF. DWG/ COMP. LIT.	QTY	UM	RSP
28	001-002-052	SCR SOC 3/8-16 X 1 LG STL		8	EA	
29	085-023-876	FPS SS PLUG HXO 3/8 NPT		4	EA	
30	085-040-332	GAUGE SIGHT LEVEL WINDOW TYPE	*	2	EA	
31	075-033-472	PLUG O RING 1/2 X 3/4-16 THD		2	EA	✓
32	085-045-135	PLUG HOLLOW HEX CAD PL 9/16-18		2	EA	
33	026-019-050	FPS ST BUSH 3/4 X 3/8		4	EA	
34	026-010-040	FPS STEEL PLUG 3/4 NPT 3000#		4	EA	
	424-309-002	BODY 615	F-424-309-002-J	1	EA	
	424-310-008	GEARCOVER CAST IRON	D-424-310-008-C	1	EA	
	424-311-008	IMPELLER, DRIVE (615)	D-424-311-008-E	1	EA	
	424-312-002	IMPELLER DRIVEN 615	D-424-312-002-H	1	EA	
	604-330-002	BEARING HSG	D-604-330-002-E	2	EA	
	424-316-012	SEAL HOUSING	F-424-316-012-F	1	EA	
	604-499-001	COVER PLATE SEAL OIL RES	A-604-499-001	1	EA	
	424-651-008	KEY GEAR	A-424-651-8C*	1	EA	✓
	424-680-002	KEY PULLEY	A-424-680-2A*	1	EA	✓
	424-326-001	SHAFT CLAMP PLATE	A-424-326-001-A	3	EA	
	424-327-003	BEARING RETAINER	B-424-327-003	2	EA	
	604-470-001	OIL DAM	A-604-470-001	4	EA	
	429-905-004	BREATHER VENT PLUG	A-429-905-004	2	EA	
	604-454-001	PISTON RING RETAINER	A-604-454-001	4	EA	
	424-329-002	SPACER GEAR	A-424-329-002-A	2	EA	
	427-143-001	SUB ASSY LUBE OIL		1	EA	
	424-336-002	FLINGER ASSEM	B-424-336-002-A	1	EA	
	605-233-001	LH MTG FOOT 622 HORIZ	B-605-233-001-A	2	EA	
	605-233-002	RH MTG FOOT 622 HORIZ	B-605-233-002-A	2	EA	

RSP = RECOMMENDED SPARE PART
UM = UNIT OF MEASURE

**MODEL 615-4MV VERTICAL FLOW BLOWER
W/4 MECHANICAL SEALS
SERIAL NO.**

SYM	PART NO.	DESCRIPTION	REF. DWG/ COMP. LIT.	QTY	UM	RSP
	424-345-014	LIST, 615 VERT FLOW	F-424-345-014	1	EA	
1	085-031-425	O RING 1-3/4 ID X 2 OD		4	EA	✓
2	085-046-310	RING SEAL PISTON 30% CARBON		4	EA	✓
3	085-008-747	PIN,ROLL,STL,1/16DIA X 1/4 LG		4	EA	
5	085-046-296	SEAL ASSY MECH FACE CARBON/SS		4	EA	✓
6	085-037-788	WASHER SPRING 1.988 ID X 2.658		4	EA	
7	085-044-345	BRG BALL STL 50MM ID X 90MM OD	*	4	EA	✓
8	085-038-833	SHIM RD ST .062 X 1-3/4 ID		4	EA	
9	085-038-834	SHIM RD ST .032 X 1-3/4 ID		4	EA	
10	085-038-835	SHIM RD ST .025 X 1-3/4 ID		4	EA	
11	085-038-836	SHIM RD ST .008 X 1-3/4 ID		4	EA	
12	085-038-837	SHIM RD ST .007 X 1-3/4 ID		4	EA	
13	085-038-838	SHIM ARBOR RD STL 1-3/4 ID X		4	EA	
14	085-038-839	SHIM RD ST .002 X 1-3/4 ID		4	EA	
15	085-038-256	GEAR HELICAL SET 6' PD		1	ST	
16	001-011-046	SCR SET HOLLOW 3/8-16 X 5/8		2	EA	
17	001-036-018	SCR SOC 1/2-13 X 1-1/2 LG		3	EA	
18	008-002-044	PIN DOWEL HARD STL 1/2 X 2		4	EA	
19	008-002-019	PIN DOWEL STL 1/4 DIA X 1-1/4		3	EA	
20	001-001-053	SCR HEX 3/8-16 X 4 LG STL		44	EA	
21	001-002-019	SCR SOC STL 1/4-20 X 3/8 STL		9	EA	
22	001-011-024	SCR SET CUP 1/4-20 X 1/2		2	EA	
23	085-027-094	RING RETAINER EXT SPRING STL		1	EA	✓
24	085-038-197	SEAL OIL 1.75 ID X 2.750 OD X		1	EA	✓
25	001-003-047	SCR RD HD MACH 10-24 X 1/2 STL		8	EA	
26	085-015-684	SCR BUT HD SOC 3/8-16 X 3/4		8	EA	
27	001-003-032	SCR RD HD MACH #8-32 X 1/4 STL		5	EA	

RSP = RECOMMENDED SPARE PART
UM = UNIT OF MEASURE

**MODEL 615-4MV VERTICAL FLOW BLOWER
W/4 MECHANICAL SEALS
SERIAL NO.**

SYM	PART NO.	DESCRIPTION	REF. DWG/ COMP. LIT.	QTY	UM	RSP
29	085-023-876	FPS SS-PLUG HXO 3/8 NPT		4	EA	
30	085-040-332	GAUGE SIGHT LEVEL WINDOW TYPE	*	2	EA	
31	075-033-472	PLUG O RING 1/2 X 3/4-16 THD		2	EA	✓
32	085-045-135	PLUG HOLLOW HEX CAD PL 9/16-18		2	EA	
33	026-019-050	FPS ST BUSH 3/4 X 3/8		4	EA	
34	026-010-040	FPS STEEL PLUG 3/4 NPT 3000#		4	EA	
	424-309-002	BODY 615	F-424-309-002-J	1	EA	
	424-310-007	GEAR COVER	D-424-310-007-C	1	EA	
	424-311-008	IMPELLER, DRIVE (615)	D-424-311-008-E	1	EA	
	424-312-002	IMPELLER DRIVEN 615	D-424-312-002-H	1	EA	
	604-330-002	BEARING HSG	D-604-330-002-E	2	EA	
	424-316-011	SEAL HOUSING	D-424-316-011-E	1	EA	
	604-499-001	COVER PLATE SEAL OIL RES	A-604-499-001	1	EA	
	424-651-008	KEY GEAR	A-424-651-8C*	1	EA	✓
	424-680-002	KEY PULLEY	A-424-680-2A*	1	EA	✓
	424-326-001	SHAFT CLAMP PLATE	A-424-326-001-A	3	EA	
	424-327-003	BEARING RETAINER	B-424-327-003	2	EA	
	604-470-001	OIL DAM	A-604-470-001	4	EA	
	429-905-004	BREATHER VENT PLUG	A-429-905-004	2	EA	
	604-454-001	PISTON RING RETAINER	A-604-454-001	4	EA	
	424-329-002	SPACER GEAR	A-424-329-002-A	2	EA	
	427-143-001	SUB ASSY LUBE OIL		1	EA	
	424-336-002	FLINGER ASSEM	B-424-336-002-A	1	EA	
	428-231-006	SPLASHER BACK PLATE	B-428-231-006-A	1	EA	
	428-134-006	SPLASHING TROUGH	C-428-134-006-C	1	EA	

RSP = RECOMMENDED SPARE PART
UM = UNIT OF MEASURE

MODEL 622-4MH HORIZONTAL FLOW BLOWER W/4 MECHANICAL SEALS SERIAL NO.

SYM	PART NO.	DESCRIPTION	REF. DWG/ COMP. LIT.	QTY	UM	RSP
	605-232-001	LIST 622 HORIZ FLOW 4 MECH SEAL	D-605-232-001-A	1	EA	
1	085-031-425	O RING 1-3/4 ID X 2 OD		4	EA	✓
2	085-046-310	RING SEAL PISTON 30% CARBON		4	EA	✓
3	085-008-747	PIN,ROLL,STL,1/16DIA X 1/4 LG		4	EA	
5	085-046-296	SEAL ASSY MECH FACE CARBON/SS		4	EA	✓
6	085-037-788	WASHER SPRING 1.988 ID X 2.658		4	EA	
7	085-044-345	BRG BALL STL 50MM ID X 90MM OD		4	EA	✓
8	085-038-833	SHIM RD ST .062 X 1-3/4 ID		4	EA	
9	085-038-834	SHIM RD ST .032 X 1-3/4 ID		4	EA	
10	085-038-835	SHIM RD ST .025 X 1-3/4 ID		4	EA	
11	085-038-836	SHIM RD ST .008 X 1-3/4 ID		4	EA	
12	085-038-837	SHIM RD ST .007 X 1-3/4 ID		4	EA	
13	085-038-838	SHIM ARBOR RD STL 1-3/4 ID X		4	EA	
14	085-038-839	SHIM RD ST .002 X 1-3/4 ID		4	EA	
15	085-038-256	GEAR HELICAL SET 6" PD		1	ST	
16	001-011-046	SCR SET HOLLOW 3/8-16 X 5/8		2	EA	
17	001-036-018	SCR SOC HD FL 1/2-13 X 1 1/2		3	EA	
18	008-002-044	PIN DOWEL HARD STL 1/2 X 2		4	EA	
19	008-002-019	PIN DOWEL STL 1/4 DIA X 1-1/4		3	EA	
20	001-001-053	SCR HEX HD CAP 3/8-16 X 4		44	EA	
21	001-002-019	SCR CAP SOC HD STL 1/4-20		9	EA	
22	001-011-024	SCR SET CUP 1/4-20 X 1/2		2	EA	
23	085-027-094	RING RETAINER EXT SPRING STL		1	EA	✓
24	085-038-197	SEAL OIL 1.75 ID X 2.750 OD X		1	EA	✓
25	001-003-047	SCR RD HD MACH 10-24 X 1/2		8	EA	
26	085-015-684	SCR BUT HD SOC 3/8-16 X 3/4		8	EA	
28	001-002-052	SCR SOC HD CAP 3/8-16 X 1 LG		8	EA	
29	085-023-876	FPS SS PLUG HXO 3/8 NPT		4	EA	
30	085-040-332	GAUGE SIGHT LEVEL WINDOW TYPE		2	EA	

RSP = RECOMMENDED SPARE PART
UM = UNIT OF MEASURE

MODEL 622-4MH HORIZONTAL FLOW BLOWER W/4 MECHANICAL SEALS SERIAL NO.

SYM	PART NO.	DESCRIPTION	REF. DWG/ COMP. LIT.	QTY	UM	RSP
31	075-033-472	PLUG O RING 1/2 X 3/4-16 THD		2	EA	✓
32	085-045-135	PLUG HOLLOW HEX CAD PL 9/16-18		2	EA	
33	026-019-050	FPS ST BUSH 3/4 X 3/8		4	EA	
34	026-010-040	FPS STEEL PLUG 3/4 NPT 3000#		4	EA	
	428-575-001	PUMP BODY	F428-575-001-B	1	EA	
	424-310-008	GEARCOVER CAST IRON	D-424-310-008-C	1	EA	
	427-955-004	IMPELLER, DRIVE (622)	D-427-955-004-E	1	EA	
	427-956-002	IMPELLER DRIVEN (622)	D-427-956-002-C	1	EA	
	604-330-002	BEARING HSG	D-604-330-002-D	2	EA	
	424-316-012	SEAL HOUSING	F-424-316-012-F	1	EA	
	604-499-001	COVER PLATE SEAL OIL RES	A-604-499-001	1	EA	
	604-454-001	PISTON RING RETAINER	A-604-454-001	4	EA	
	424-336-002	FLINGER ASSEM	B-424-336-002-A	1	EA	
	424-326-001	SHAFT CLAMP PLATE	A-424-326-001-A	3	EA	
	424-680-002	KEY PULLEY	A-424-680-2A*	1	EA	✓
	604-470-001	OIL DAM	A-604-470-001	4	EA	
	424-327-003	BEARING RETAINER	B-424-327-003	2	EA	
	429-905-004	BREATHER VENT PLUG	A-429-905-004	2	EA	
	424-329-002	SPACER GEAR	A-424-329-002-A	2	EA	✓
	424-651-008	KEY GEAR	A-424-651-8C*	2	EA	✓
	427-143-001	SUB ASSY LUBE OIL		1	EA	
	605-233-001	LH MTG FOOT 622 HORIZ	B-605-233-001-A	2	EA	
	605-233-002	RH MTG FOOT 622 HORIZ	B-605-233-002-A	2	EA	

RSP = RECOMMENDED SPARE PART
UM = UNIT OF MEASURE

MODEL 622-4MV VERTICAL FLOW BLOWER W/4 MECHANICAL SEALS SERIAL NO.

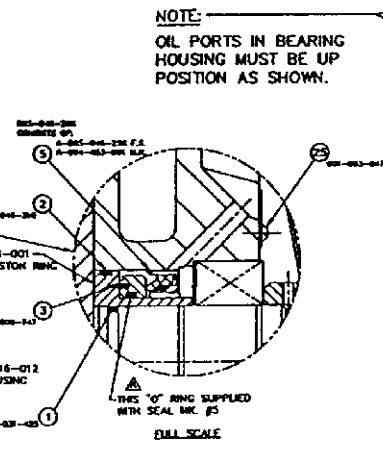
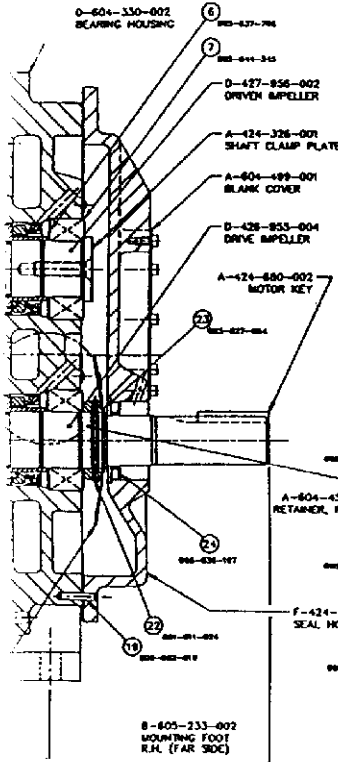
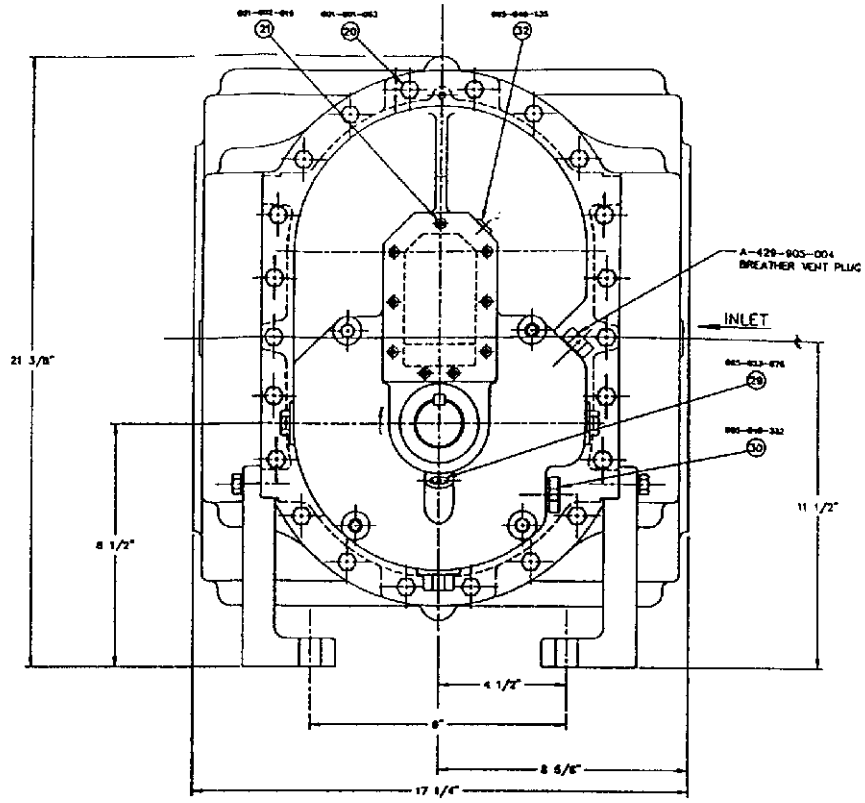
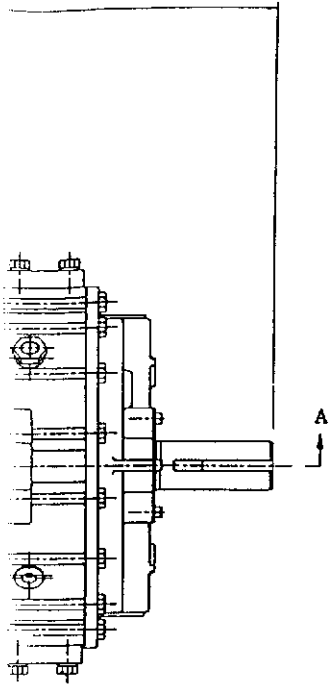
SYM	PART NO.	DESCRIPTION	REF. DWG/ COMP. LIT.	QTY	UM	RSP
	604-344-003	LIST 622 VERT FLOW 4 MECH SEAL	E-604-344-003	1	EA	
1	085-031-425	O RING 1-3/4 ID X 2 OD		4	EA	✓
2	085-046-310	RING SEAL PISTON 30% CARBON		4	EA	✓
3	085-008-747	PIN,ROLL,STL,1/16DIA X 1/4 LG		4	EA	
4	085-025-328	O-RING VITON 2-1/4 ID		4	EA	✓
5	085-046-296	SEAL ASSY MECH FACE CARBON/SS		4	EA	✓
6	085-037-788	WASHER SPRING 1.988 ID X 2.658		4	EA	
7	085-044-345	BRG BALL STL 50MM ID X 90MM OD		4	EA	✓
8	085-038-833	SHIM RD ST .062 X 1-3/4 ID		4	EA	
9	085-038-834	SHIM RD ST .032 X 1-3/4 ID		4	EA	
10	085-038-835	SHIM RD ST .025 X 1-3/4 ID		4	EA	
11	085-038-836	SHIM RD ST .008 X 1-3/4 ID		4	EA	
12	085-038-837	SHIM RD ST .007 X 1-3/4 ID		4	EA	
13	085-038-838	SHIM ARBOR RD STL 1-3/4 ID X		4	EA	
14	085-038-839	SHIM RD ST .002 X 1-3/4 ID		4	EA	
15	085-038-256	GEAR HELICAL SET 6° PD		1	ST	
16	001-011-046	SCR SET HOLLOW 3/8-16 X 5/8		2	EA	
17	001-036-018	SCR SOC HD FL 1/2-13 X 1 1/2		3	EA	
18	008-002-044	PIN DOWEL HARD STL 1/2 X 2		4	EA	
19	008-002-019	PIN DOWEL STL 1/4 DIA X 1-1/4		3	EA	
20	001-001-053	SCR HEX HD CAP 3/8-16 X 4		44	EA	
21	001-002-019	SCR CAP SOC HD STL 1/4-20		9	EA	
22	001-011-024	SCR SET CUP 1/4-20 X 1/2		2	EA	
23	085-027-094	RING RETAINER EXT SPRING STL		1	EA	
24	085-038-197	SEAL OIL 1.75 ID X 2.750 OD X		1	EA	✓
25	001-003-047	SCR RD HD MACH 10-24 X 1/2		8	EA	
26	085-015-684	SCR BUT HD SOC 3/8-16 X 3/4		8	EA	
27	001-003-032	SCR RD HD MACH #8-32 X 1/4		5	EA	

RSP = RECOMMENDED SPARE PART
UM = UNIT OF MEASURE

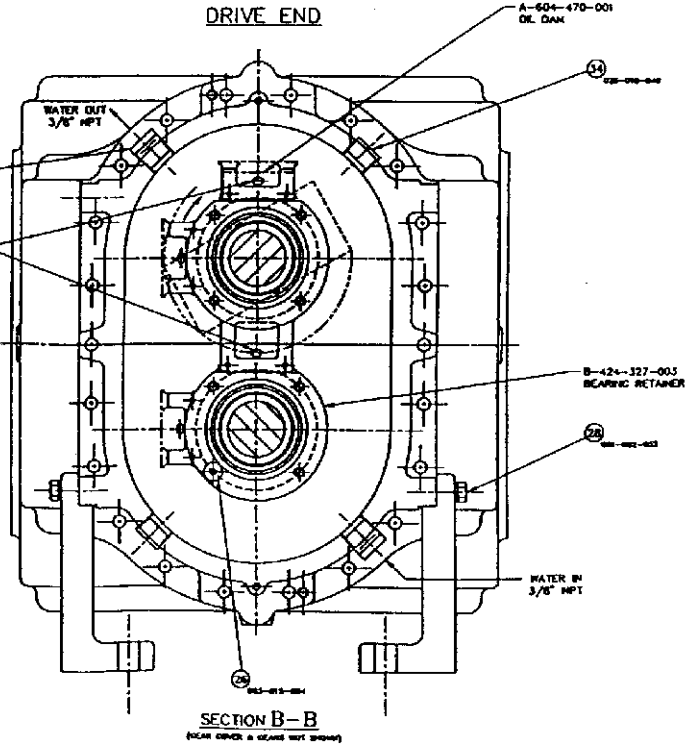
MODEL 622-4MV VERTICAL FLOW BLOWER W/4 MECHANICAL SEALS SERIAL NO.

SYM	PART NO.	DESCRIPTION	REF. DWG/ COMP. LIT.	QTY	UM	RSP
29	085-023-876	FPS SS PLUG HXO 3/8 NPT		4	EA	
30	085-040-332	GAUGE SIGHT LEVEL WINDOW TYPE		2	EA	
31	075-033-472	PLUG O RING 1/2 X 3/4-16 THD		2	EA	✓
32	085-045-135	PLUG HOLLOW HEX CAD PL 9/16-18		2	EA	
33	026-019-050	FPS ST BUSH 3/4 X 3/8		4	EA	
34	026-010-040	FPS STEEL PLUG 3/4 NPT 3000#		4	EA	
	428-575-001	PUMP BODY	F428-575-001-B	1	EA	
	424-310-007	GEAR COVER	D-424-310-007-C	1	EA	
	427-955-004	IMPELLER, DRIVE (622)	D-427-955-004-E	1	EA	
	427-956-002	IMPELLER DRIVEN (622)	D-427-956-002-C	1	EA	
	604-330-002	BEARING HSG	D-604-330-002-D	2	EA	
	424-316-011	SEAL HOUSING	D-424-316-011-E	1	EA	
	604-499-001	COVER PLATE SEAL OIL RES	A-604-499-001	1	EA	
	604-454-001	PISTON RING RETAINER	A-604-454-001	4	EA	
	424-336-002	FLINGER ASSEM	B-424-336-002-A	1	EA	
	424-326-001	SHAFT CLAMP PLATE	A-424-326-001-A	3	EA	
	424-680-002	KEY PULLEY	A-424-680-2A*	1	EA	
	604-470-001	OIL DAM	A-604-470-001	4	EA	
	424-327-003	BEARING RETAINER	B-424-327-003	2	EA	
	428-231-006	SPLASHER BACK PLATE	B-428-231-006-A	1	EA	
	428-134-006	SPLASHING TROUGH	C-428-134-006-C	1	EA	
	429-905-004	BREATHER VENT PLUG	A-429-905-004	2	EA	
	424-329-002	SPACER GEAR	A-424-329-002-A	2	EA	✓
	424-651-008	KEY GEAR	A-424-651-8C*	2	EA	✓

RSP = RECOMMENDED SPARE PART
UM = UNIT OF MEASURE



NOTE:
OIL PORTS IN BEARING HOUSING MUST BE UP POSITION AS SHOWN.



PREPARED BY: J. MOORE CHECKED BY: J. MOORE DATE: 10-20-58		PART NO. D-605-232-001A
TITLE: 1/4" BEARING HOUSING W/4 MOTOR KEYS		QUANTITY: 1000
DRAWN BY: J. MOORE	DATE: 10-20-58	PROJECT: 1000
CHECKED BY: J. MOORE	DATE: 10-20-58	APPROVED BY: J. MOORE
PART NO. D-605-232-001A	QUANTITY: 1000	PROJECT: 1000

