

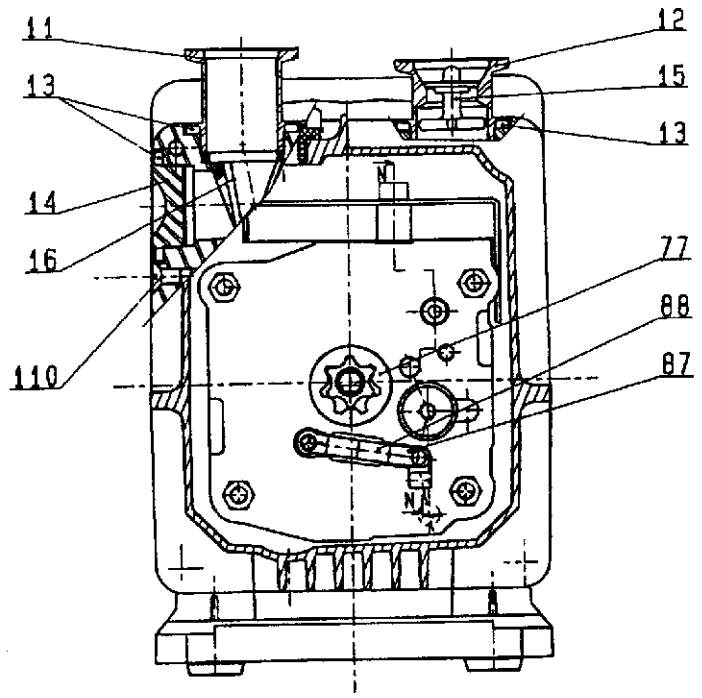
## 8. REPLACEMENT PARTS LIST

REF. #	SPECIFICATION	MODEL NUMBERS			
		DD-420	DD-300	DD-200	DD-100
1	Central Housing	065734			
2	Oil Casing	065848	065849	065845	065851
3	Base	065900			
4	Shock Absorber	065790			
5	Motor Mounting Plate	065739			
6	Fan Coupling	065741			
7	Plastic Coupling	052553			
9	Felt	065794			
10	Handle	065780			
11	Inlet Port NW 25	065819			
13	O-Ring c3,6 d 29,3	082122			
14	Stopper	065821			
15	Exhaust Valve	065791			
16	Inlet Filter	065787			
17	O-Ring c3 d 165	079072			
18	Front Plate	065716			
19	Seal Holder	065744			
20	Shaft Seal 15 x 25.5 x 4.6	082063			
21	O-Ring c 3,6 d 34,1	082125			
22	Front O-Ring	065795			
23	LP Rotor	065751	065750	065749	065745
24	Shouldered Ring	065846			
25	O-Ring c 2,7 d 12,1	082110			
26	Washer	065847			
27	Shaft Key	071067			
28	Shaft Seal 15 x 25 x 4.6	083645			
29	LP Stator	065717	065718	065719	065722
30	LP Vane	065759	065758	065757	065760

REF. #	SPECIFICATION	MODEL NUMBERS			
		DD-420	DD-300	DD-200	DD-100
31	Vane Spring	053040			
32	Central Plate	065720			
33	Central Jet	053474			
34	HP Stator	065721			065722
35	HP Rotor	065728			065729
35/3	Pin	071050			
36	HP Vane	065756			065760
37	Rear Plate	065724			
38	O-Ring c2 d 90	079514			
39	Pin	065761	065762	065763	054765
42	Washer	065107			
47	O-Ring c1,9 d 5,7	082105			
49	Valve Cover	065769	065770	065771	065773
50	Valve	052655			
51	Valve Spring	052541			
52	Case Bushing	065781			
53	Gas Ballast Cover	065782			
54	Gas Ballast Knob	065783			
55	Gas Ballast Tube	065838			
56	Oil Filter	065710			
57	O-Ring c3 d 28	079067			
58	Gas Ballast Sleeve	065792			
59	Gas Ballast Spring	065797			
60	Anti-Suckback Device	065798			
61	Spring of the Anti-Suckback	065799			
63	Plug G 3/8	082604			
64	O-Ring c2 d 16	084149			
65	Oil Level Sight Glass	065784			

REF. #	SPECIFICATION	MODEL NUMBERS			
		DD-420	DD-300	DD-200	DD-100
66	Level Plate	065743			
68	Oil Sight Glass Cover	065785			
69	O-Ring c 2,5 d 66	079516			
70	Handle Guide Tube	065843			
71	Centering Pin 0 6	071040			
76	Oil Pump Cover	065725			
77	Oil Pump Pinion	065862			
78	Cylinder	065856			
79	Membrane	065857			
80	Seat	065858			
81	Anti-Suckback Piston	065859			
82	Air Admission Tube	065860			
83	O-Ring c1,5 d 7,5	079046			
84	Spring	065617			
85	Borrelly Washer	084646			
86	Jet	065864			
87	Blade	065861			
88	Counter-Blade	065863			
101	Screw CHc M6 x 35	075532			
102	Screw CHc M6 x 25	075511			
103	Screw CHc M6 x 20	075530			
104	Screw CHc M6 x 16	075509			
105	Screw CHc M6 x 12	075529			
107	Screw CHc M5 x 16	075525			
108	Screw CHc M4 x 8	075518			
110	Screw CHc M6 x 12	050223			
111	Screw CHc M4 x 10	074223			
112	Screw CHc M6 x 10	075034			

REF. #	SPECIFICATION	MODEL NUMBERS			
		DD-420	DD-300	DD-200	DD-100
113	Screw Nut HM 6	071211			
115	Washer 06	073454			
116	Washer 05	073453			
117	Washer 04	073452			
118	Washer M4 U	073304			
	On/Off Switch	240634			
<b>US VERSION EQUIPMENT</b>					
100	Screw CHc M8 x 16	082734			
114	Washer 08	073455			
8	Motor Coupling	052684			
12	Exhaust Nipple NW 25	052652			
14	Stopper	065821			
	Quick Connect Clamp NW 25	083264			
	Centering Ring NW 25	068189			
	Plate	052589			



**PUMPS**

