

Vakuum-Lösungen

Applikations-
Unterstützung

Service



LEYBOLD VAKUUM

KA 01.690/1



Komplett - Set zur TRIVAC E

D 16 E

Komplett-Set für:

- Ölabscheidung (Formfilter)
- Abdichtung komplett
- Verschleißteile

Complete Kit for TRIVAC E

D 16 E

Complete Kit for:

- Oil separator
(internal demister)
- All seals
- Wearing parts

Kurzanleitung

Brief Instructions

		D16E		
Component Item Number	Component Item Description	20040040KIT		
		Qty	Fig. No.	Item No.
320120	O'RING,VITON,118X3 MM	1	1	2
200092	ROTOR,OIL PUMP	1	1	3
23963115	O'RING,VITON,38 X 3 MM	1	1	5
440024	RING,SPACER,STL.,42X34X1MM	1	1	6
310051	SEAL,SHAFT,LIP,W/ DUST LIP	1	1	7
360053	COUPLER,SLEEVE,VITON	4	1	19
450032	PIN,DOWEL,6X40MM	4	1	20
580038	VALVE,STOPPER,STEEL	1	1	21
490021	SPRING,COMPRESSION,STEEL	1	1	22
400063	SCREW,SHCS,M5X20MM,S/S	4	2	1
420033	WASHER,FLAT,M5,S/S	6	2	2
P23955165	GASKET,RING,VITON	2	2	3
20010289	O'RING,VITON,27 X 3 MM	2	2	5
640014	STRIP,SEALING,SILICONE	1	2	7
400062	SCREW,SHCS,M5X40MM,S/S	1	2	8
640013	INSERT,TUBE,VITON	4	2	9
720011	FILTER,DEMISTER	1	2	14
440022	RING,SPACER,ALUM,11.5X8X1MM	1	2	17
300045	GASKET,RING,VITON,17X22X1.5MM	1	2	20
400065	SCREW,SHCS,FLAT HD,M5X6MM,STL.	1	2	21
580037	VALVE,HOLDER,S/S	1	2	22
490020	RETAINER,RESTRICTOR,SPRING	1	2	23
490022	SPRING,COMPRESSION,STEEL	1	2	24
580032	VALVE,NIB,SEALING ELEM.,VITON	1	2	25
580035	VALVE,BRACKET,S/S	1	2	26
40050135	VALVE	1	2	27
490026	SPRING,COMPRESSION,CONICAL,S/S	1	2	29
34861028	VALVE,NON-RETURN	1	2	30
420032	WASHER,ORFICE,G.B.,S/S	1	2	31
23970436	O'RING,VITON,27 X 2.5 MM	1	2	32
400064	SCREW,SHCS,M5X10MM,S/S	2	2	34
420033	WASHER,FLAT,M5,S/S	6	2	35
300044	GASKET,SIGHT GLASS,VITON	1	2	38
300050	GASKET,OIL BOX,VITON	1	2	39
P23955165	GASKET,RING,VITON	2	2	41
23970211	O'RING,VITON,50 X 3 MM	1	3	2
23973146	SEAL,FLOAT,VITON	1	3	4
310052	SEAL,SHAFT,LIP,W/O DUST LIP	1	3	6
300048	GASKET,FLAT SEAL,VITON	1	3	7
580033	VALVE,TANDEM,STEEL	1	3	8
490023	SPRING,COMPRESSION,STEEL	1	3	9
580036	VALVE,SPACER,S/S	1	3	10
20010289	O'RING,VITON,27 X 3 MM	2	3	12
230052G	VANE,G11,1ST STAGE,HV	2	3	16
490025	SPRING,COMPRESSION,STEEL	1	3	17
450031	PIN,VANE,GUIDE,S/S	1	3	18
230050G	VANE,G11,2ND STAGE,LV,FV VANE	2	3	19
400061	SCREW,SHCS,M5X65MM,S/S	1	3	20

Ref. No. for the complete kits	Type of pump
200 40 040	D 16 E

Required tools:

Spanner size 8, securing ring pliers, Hex. socket screw key 4, 6, 8, as well as special tool (200 02 760) for tie rods. Phillips screwdriver, puller (2-point) for fan wheel and combination plier.

Shaft sealing ring driver - see sketch 1 and 2.

This repair kit contains the following parts:

Fig. 1 / Page 22

Item	Qty.	Designation
2	1	O-ring (118 x 3)
3	1	Oil pump
5	1	O-ring (38 x 3) <i>23963115</i>
6	1	Spacer <i>440024</i>
7	1	Shaft sealing ring with dust lip (30x42x7)
19	4	Coupling bushings <i>360053</i>
20	4	Coupling pins
21	1	Stopper
22	1	Compression spring (0.63 x 3.55 x 22)

Fig. 2 / Page 23

Item	Qty.	Designation
1	4	Hex. socket bolt (M 5 x 20)
2	4	Washer
3	1	Sealing ring (15.1 x 22 x 2)
5	1	Sealing ring (27 x 3)
7*	1	Sealing strip
8	1	Hex. socket bolt (M 5 x 40)
9	4	Rubber insert
14	1	Internal demister
17	1	Flat seal - Alu (8 x 11.5 x 1)
20	1	Flat seal (17 x 22 x 1.5)
21	1	Hex. socket bolt (M 5 x 6)
22	1	Valve holder
23	1	Stroke restrictor
24	1	Compression spring (0.6 x 7.95 x 17.3)
25	1	Sealing element
26	1	Valve bracket
27	1	Bypass valve
29	1	Compression spring (conical)
30	1	Non-return valve
31	1	GB orifice
32	1	O-ring (27 x 2,5)
34	2	Cylinder head bolt M5 x 10
35	2	Washer
38	1	Contoured seal (oil level glass)
39	1	Contoured seal (oil box)
41	1	Sealing ring (15.1 x 22 x 2)

Fig. 3 / Page 24

Item	Qty.	Designation
2	1	O-ring (50 x 3)
4	1	Sealing nipple
6	1	Shaft sealing ring without dust lip (30x40x7)
7	1	Flat seal
8	1	Tandem valve
9	1	Compression spring (0.75 x 4.55 x 25)
10	1	Spacer
12	1	O-ring (22 x 27 x 2)
16	2	High vacuum vane
17	1	Compression spring (0.4 x 2.8 x 25)
18	1	Guide pin
19	2	Forevacuum vane
20	1	Hex. socket bolt M5 x 65

1 Disassembly

Caution Before starting work on the pump make sure that the pump is cold.

Warning Before starting work on the pump be sure to always disconnect the motor from the mains power. Remove the mains connection (three-phase motors) or pull the mains plug.



1.1 Disassembly of the Motor

Drain out the oil as described in the Operating Instructions for the pump.

Then place the pump on the side with the oil level glass of the oil box.

Disassemble the pump's base (1/23).

Disassemble the fan cowl (1/13 - 4 bolts).

Disassemble the securing ring (1/14) of the fan wheel for the motor (1/16). Use a puller to pull the fan wheel off.

Use the pliers to disassemble the key (1/9).

Unscrew the tie rods (1/15), and the B-bearing plate (1/17).

Lift off the motor stator (1/11).

Unscrew the size 4 hex. socket bolts (1/8) at the A-bearing plate (1/18).

Remove the A-bearing plate with motor rotor and spring disk (1/10).

Lift out the bushing of the shaft seal (1/4) (use a magnet for this).

Remove the coupling bushings (1/19) from the motor shaft.

Force the shaft seal (1/17) out of the bushing (1/4) for the shaft seal.

Do not damage the bushing for the shaft seal.

Caution

Remove the stopper (1/21) with spring (1/22) from the HV bearing piece (1/1).

Remove oilpump (1/13) and coupling-pins. Place the pump on to the side of the HV-bearing piece.

Rest oil can run out of the HV-piece.

Caution

1.2 Disassembly of Oil Box and Valves (Pumps with Gas Ballast Option)

Unscrew the 4 hex socket bolts (2/1) of the oil box (2/40).

Remove both the oil box and the seal for the oil box (2/39). Remove the sealing strip (2/7*).

Pull off the spring clip (2/11).

Loosen the 2 bolts (2/8) at the diaphragm valve (2/33). Pull out the diaphragm valve with the oil and gas ballast pipe (2/10).

Remove the O-ring (2/32), the gas ballast orifice (2/31) as well as the non-return valve (2/30) and the compression spring (2/29).

Caution Do not disassemble the diaphragm valve. Do not clean the valve in liquid.

Remove the holding frame (2/13) and the internal demister (2/14).

Loosen the hex. socket bolt (2/21) and remove it together with the valve bracket (2/26).

Completely remove the exhaust valve (items 2/22 to 2/25) and the bypass valve (2/27).

Loosen the hex. socket bolt (2/16) and disassemble the gas ballast valve.

Take out the fiat seals (2/17 and 2/20).

Unscrew the exhaust port (2/6) and remove the sealing ring (2/5).

Remove the cylinder head bolt (2/34) together with the washer (2/35).

Remove the bracket (2/36), the oil level glass (2/37) and the contoured seal (2/38).

1.3 Disassembly of Oil Box and Valves (Pumps without Gas Ballast Option)

Unscrew the 4 hex socket bolts (2/1) of the oil box (2/40).

Remove both the oil box and the seal for the oil box (2/39).

Remove the sealing strip (2/7*).

Pull off the spring clip (2/11).

Remove the holding frame (2/13) and the internal demister (2/14).

Loosen the hex. socket bolt (2/21) and remove it together with the valve bracket (2/26).

Completely remove the exhaust valve (items 2/22 to 2/25) and the bypass valve (2/27).

Unscrew the exhaust port (2/6) and remove the sealing ring (2/5).

Remove the cylinder head bolt (2/34) together with the washer (2/35).

Remove the bracket (2/36), the oil level glass (2/37) and the contoured seal (2/38).

1.4 Disassembly of the Pump Module

Unscrew the hex. socket bolts (3/21).

Remove the end plate (3/1) and the O-ring (3/2).

Lift off the forevacuum pot (3/3).

Remove the sealing nipple (3/4) from the forevacuum pot.

Pull off the oil guiding panel (3/14) from the high vacuum bearing plate.

Fully remove the rotor (3/5) with the vanes (3/16 to 3/20) from the high vacuum bearing plate, remove the vanes.

Remove the flat seal (3/7) from the high vacuum bearing plate.

Take the tandem valve (3/8) with the compression spring (3/9) and the spacer (3/10) out of the high vacuum bearing plate.

Unscrew the intake port (3/11) out of the high vacuum bearing plate and remove the O-ring (3/12).

Press the shaft sealing ring (3/6) out of the high vacuum bearing plate.

Caution Make sure that the seat for the shaft sealing ring in the high vacuum bearing plate is not damaged.
Look for a free air intake nozzle (view "G", page 24).

2 Assembly (Pumps with Gas Ballast Option)

Clean all parts, check that they are in perfect condition and replace any defective parts as required.

2.1 Assembly of the Pump Module

Screw the intake port (3/11) with the O-ring (3/12) into the high vacuum bearing plate.

Caution Slightly oil the seat of the shaft sealing ring, the bore for the tandem valve and the high vacuum pump chamber.

Press the shaft sealing ring (3/6) right up to the stop using a matching shaft sealing ring driver (see sketch 2, page 14).

Place the spacer (3/10) into the high vacuum bearing plate.

Caution Note the orientation, see enlarged details C and D (fig. 3, page 24).
D = with gas ballast.

Insert the compression spring (3/9) into the tandem valve (3/8) and insert it fully into the bore in the high vacuum bearing plate.

Place the flat seal (3/7) on to the high vacuum bearing plate.

Glue the pins (1/20) into the rotor (3/5) (see sketch 5, page 21). For this moisten the pins with Loctite and insert them into the corresponding bores (we recommend the use of Loctite 221 or 222). Remove any excess Loctite.

Especially note the position of the pin's bezel and the depth of the inserted pin.

Insert the high vacuum vane (3/16), slightly oiled with the guide pin (3/17) and compression spring (3/18) into the rotor (3/5).

Caution Note the orientation of the HV vanes. See enlarged details F (fig. 3, page 24).

Insert the complete rotor into the high vacuum bearing plate (3/13).

Press the sealing nipple (3/4) into the forevacuum pot (3/3) (see sketch 3, page 21).

Fit the forevacuum pot on to the high vacuum bearing plate.

Push the oil guiding panel (3/14) on.

Caution The sealing nipple (3/4) must be located above the tandem valve (3/8).
When fitting, the forevacuum pot must not be turned as otherwise there is the danger that the sealing nipple might be damaged or even forced out. To maintain the position, a screw may be screwed in.

Provide the forevacuum vane (3/19) with a bezel (see sketch 4, page 21) and insert it with the guide pin (3/20) and the compression spring (3/18), slightly oiled into the rotor.

Place the O-ring (3/2) into the forevacuum pot.

Fit the end plate (3/1) and bolt home with the hex. socket bolts (3/21) (torque 5.5 Nm, $\pm 10\%$).

2.2 Assembly of the Gas Ballast Valve

Place the flat seal (2/20) into the high vacuum bearing piece (2/15). Slightly oil the gas ballast valve (2/19) and push on the cap of the gas ballast valve (2/18).

Insert the assembled parts of the gas ballast valve into the bore in the high vacuum bearing piece provided for this purpose.

Insert the flat seal (2/17) and mount the gas ballast valve with the hex. socket bolt (2/16) (torque = 11 Nm)

The gas ballast valve should be fitted so that the letters "GB" point in the direction of the oil box.

2.3 Assembly of Exhaust and Bypass valves

Insert the bypass valve (2/27) into the valve seat of the forevacuum pot (2/28), see view A for correct orientation.

Assemble sealing element (2/25), spring (2/24) and stroke restrictor (2/23) and insert the thus assembled parts into the valve seat of the forevacuum pot (2/28).

Position the valve holder (2/22) on the stroke restrictor (2/23).

Fit the valve bracket (2/26) and tighten it with the hex. socket bolt (2/21) (torque = 5.5 Nm).

2.4 Assembly of the Diaphragm Valve

2.4.1 Assembly of the Non-return Valve

Insert the non-return-valve (2/30) into the conical compression spring (2/29) and insert this together with the gas ballast orifice (2/31) into the hole in the end piece.

Insert the O-ring (2/32).

Caution Make especially sure that the non-return valve (2/30) has been fitted in the correct orientation.

2.4.2 Full Assembly

Oil the 4 new rubber inserts (2/9) and insert these into the holes provided.

Oil the oil and gas ballast pipe (2/10) at the ends.

Insert both pipes into the rubber inserts in the diaphragm valve (2/33).

Insert the pre-assembled diaphragm valve with the pipes into the end piece (2/12) and tighten it with the 2 hex. socket bolts (2/8) (torque = 5.5 Nm).

2.5 Assembly of the Internal Demister

Place the internal demister (2/14) in the holding frame (2/13) and position it above the exhaust and bypass valves so that the spring clip (2/11) rests - when fitted - against the center console of the holding frame.

The holding frame (2/13) must be pushed right against the stop on the forevacuum pot (2/28) in the direction of the high vacuum bearing plate (2/15).

Fit the spring clip (2/11) using the securing ring pliers.

2.6 Assembly of the Oil Box

Place the seal for the oil box (2/39) into the groove in the oil box, see enlarged detail B (fig. 2, page 23).

Place the sealing strip (2/7*) on to the guide panel (2/7).

Fit the oil box (2/40) and tighten with four hex. socket bolts (2/1) with washers (2/2) (torque = 5.5 Nm).

3 Assembly

(Pumps without Gas Ballast Option)

Clean all parts, check that they are in perfect condition and replace any defective parts as required.

3.1 Assembly of the Pump Module

Screw the intake port (3/11) with the O-ring (3/12) into the high vacuum bearing plate.

Caution Slightly oil the seat of the shaft sealing ring, the bore for the tandem valve and the high vacuum pump chamber.

Press the shaft sealing ring (3/6) right up to the stop using a matching shaft sealing ring driver (see sketch 2).

Place the spacer (3/10) into the high vacuum bearing plate.

Caution Note the orientation, see enlarged details C and D (fig. 3, page 24).
C = without gas ballast.

Insert the compression spring (3/9) into the tandem valve (3/8) and insert it fully into the bore in the high vacuum bearing plate.

Glue the pins (1/20) into the rotor (3/5) (see sketch 5, page 21). For this moisten the pins with Loctite and insert them into the corresponding bores (we recommend the use of Loctite 221 or 222). Remove any excess Loctite.

Especially note the position of the pin's bezel and the depth of the inserted pin.

Place the flat seal (3/7) on to the high vacuum bearing plate.

Insert the high vacuum vane (3/16), slightly oiled with the guide pin (3/17) and compression spring (3/18) into the rotor (3/5).

Caution Note the orientation of the HV vanes. See enlarged details F (fig. 3, page 24).

Insert the complete rotor into the high vacuum bearing plate (3/13).

Press the sealing nipple (3/4) into the forevacuum pot (3/3) (see sketch 3, page 21).

Fit the forevacuum pot on to the high vacuum bearing plate.

Push the oil guiding panel (3/14) on.

Caution The sealing nipple (3/4) must be located above the tandem valve (3/8).
When fitting, the forevacuum pot must not be turned as otherwise there is the danger that the sealing nipple might be damaged or even forced out. To maintain the position, a screw may be screwed in.

Provide the forevacuum vane (3/19) with a bezel (see sketch 4, side 19) and insert it with the guide pin (3/20) and the compression spring (3/18), slightly oiled into the rotor.

Place the O-ring (3/2) into the forevacuum pot.

Fit the end plate (3/1) and bolt home with the hex. socket bolts (3/21) (torque 5.5 Nm, $\pm 10\%$).

3.2 Assembly of Exhaust and Bypass valves

Insert the bypass valve (2/27) into the valve seat of the forevacuum pot (2/28), see view A for correct orientation.

Assemble sealing element (2/25), spring (2/24) and stroke restrictor (2/23) and insert the thus assembled parts into the valve seat of the forevacuum pot (2/28).

Position the valve holder (2/22) on the stroke restrictor (2/23).

Fit the valve bracket (2/26) and tighten it with the hex. socket bolt (2/21) (torque = 5.5 Nm).

3.3 Assembly of the Internal Demister

Place the internal demister (2/14) in the holding frame (2/13) and position it above the exhaust and bypass valves so that the spring clip (2/11) rests - when fitted against the center console of the holding frame.

The holding frame (2/13) must be pushed right against the stop on the forevacuum pot (2/28) in the direction of the high vacuum bearing plate (2/15).

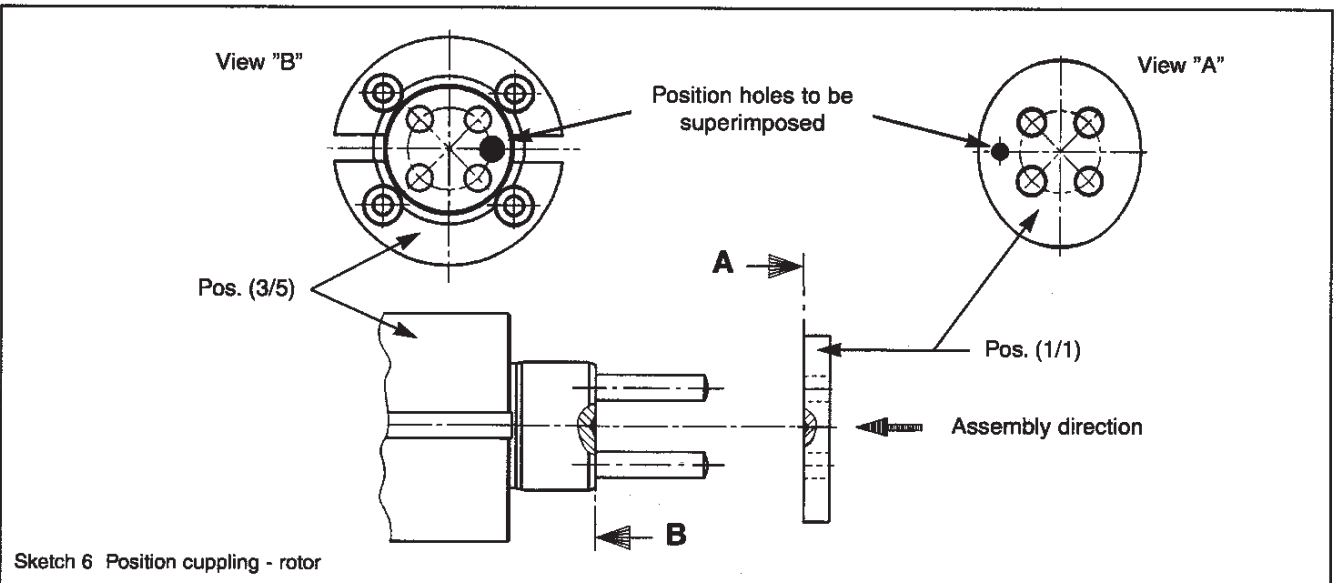
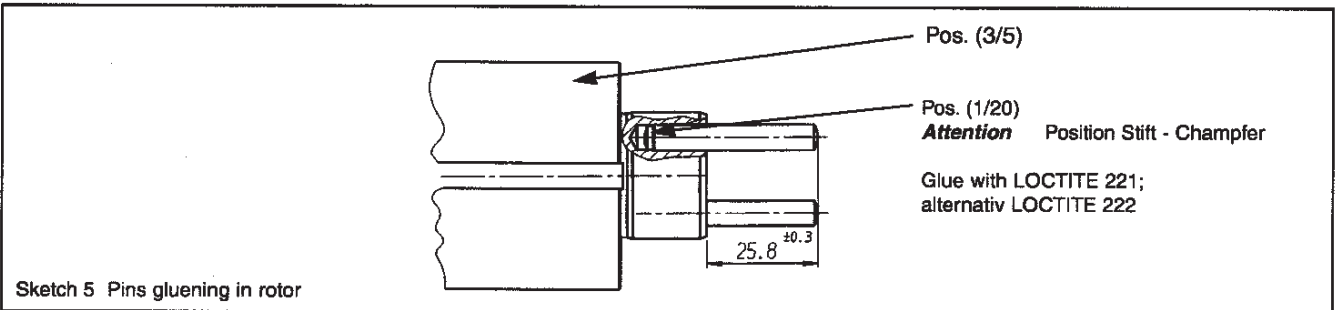
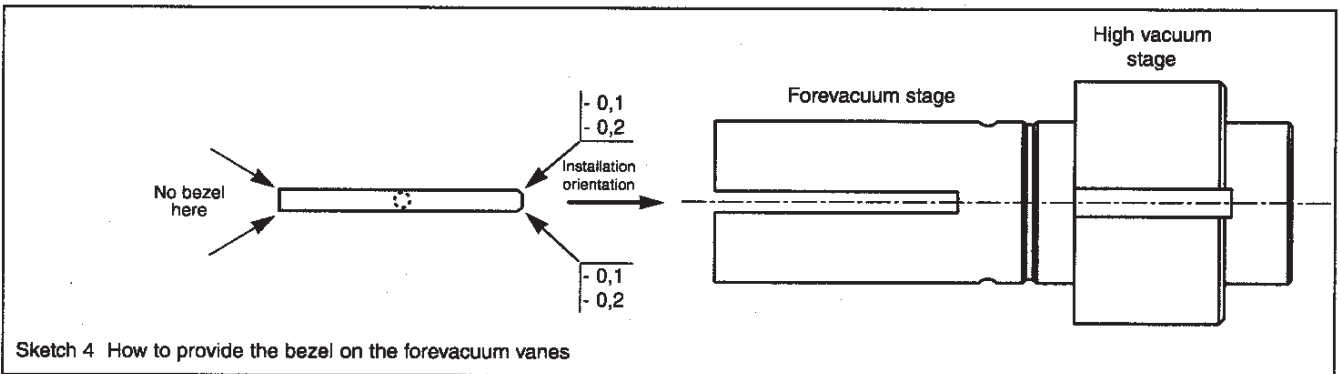
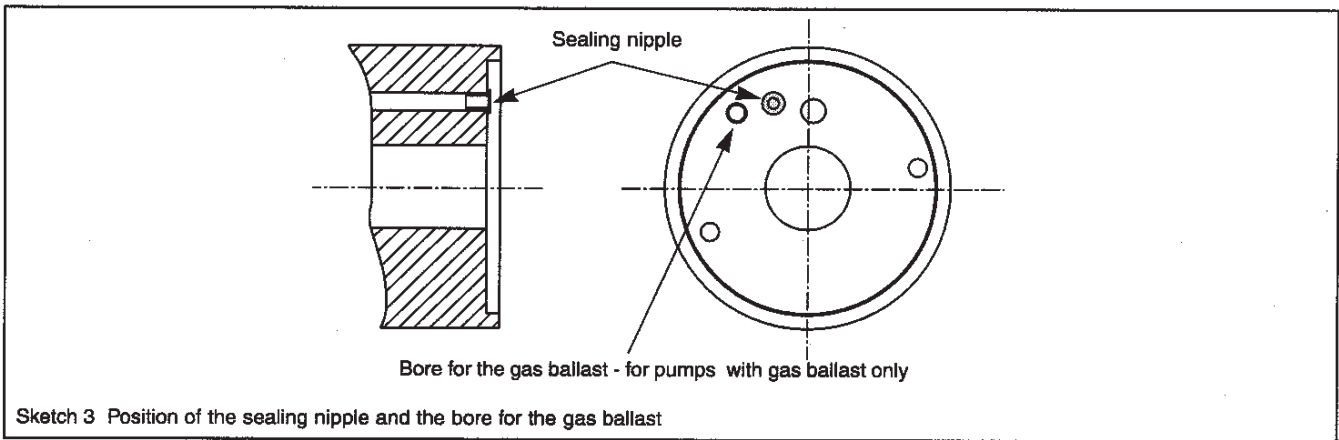
Fit the spring clip (2/11) using the securing ring pliers.

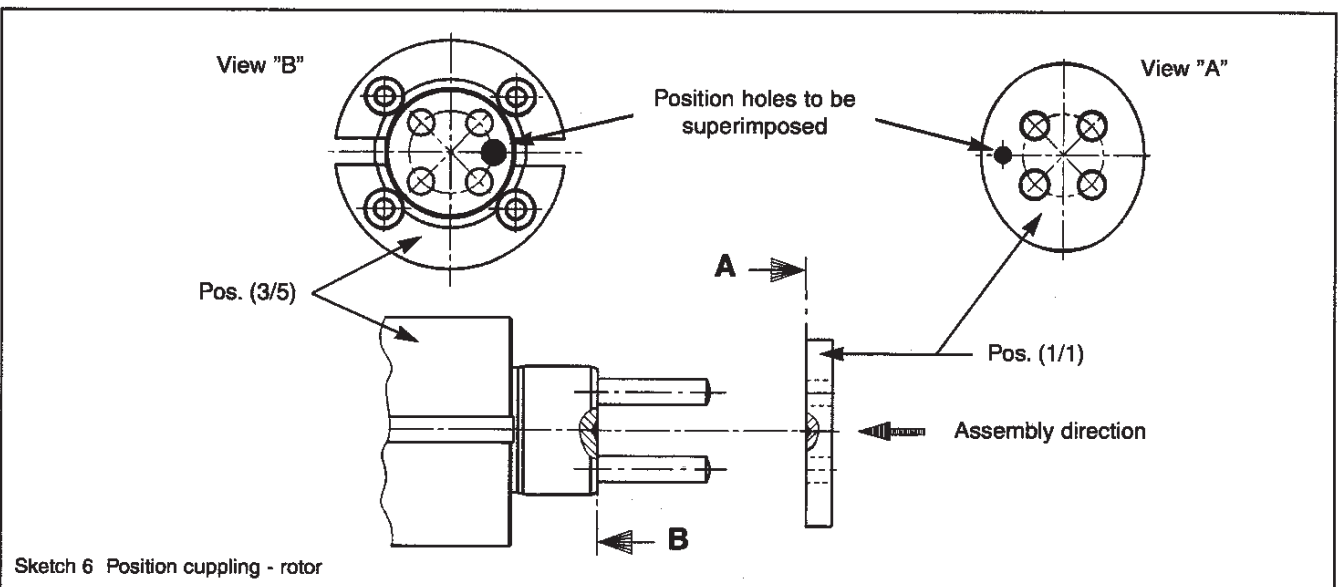
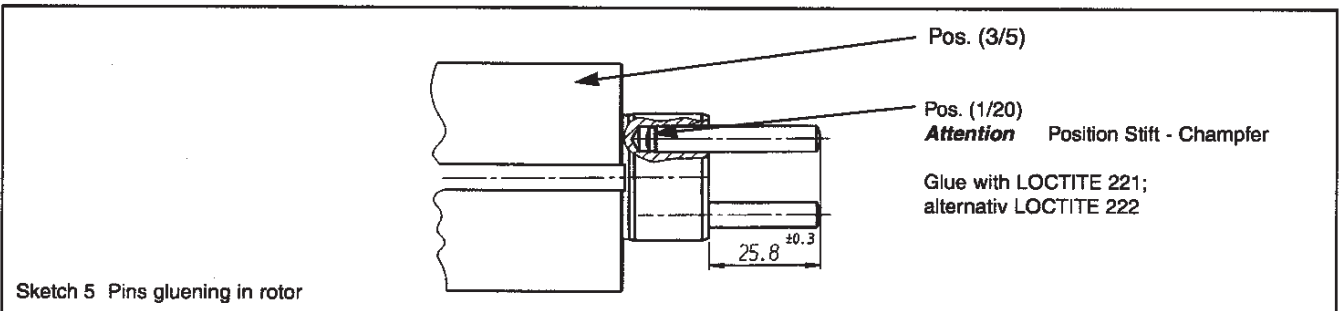
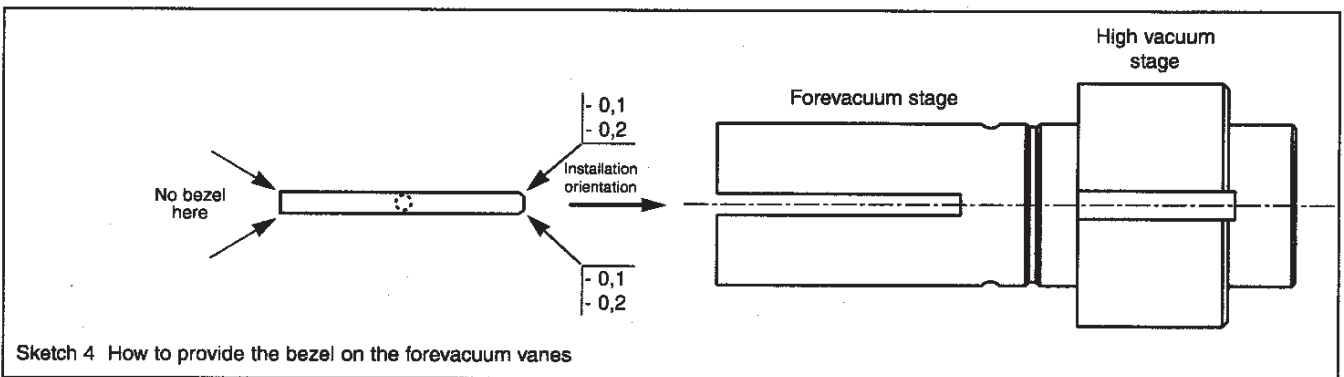
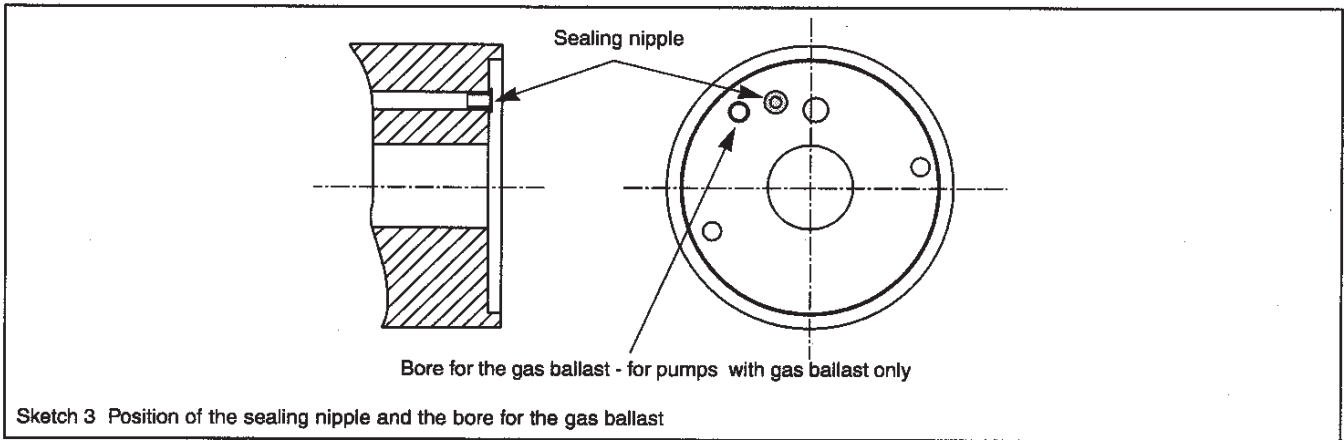
3.4 Assembly of the Oil Box

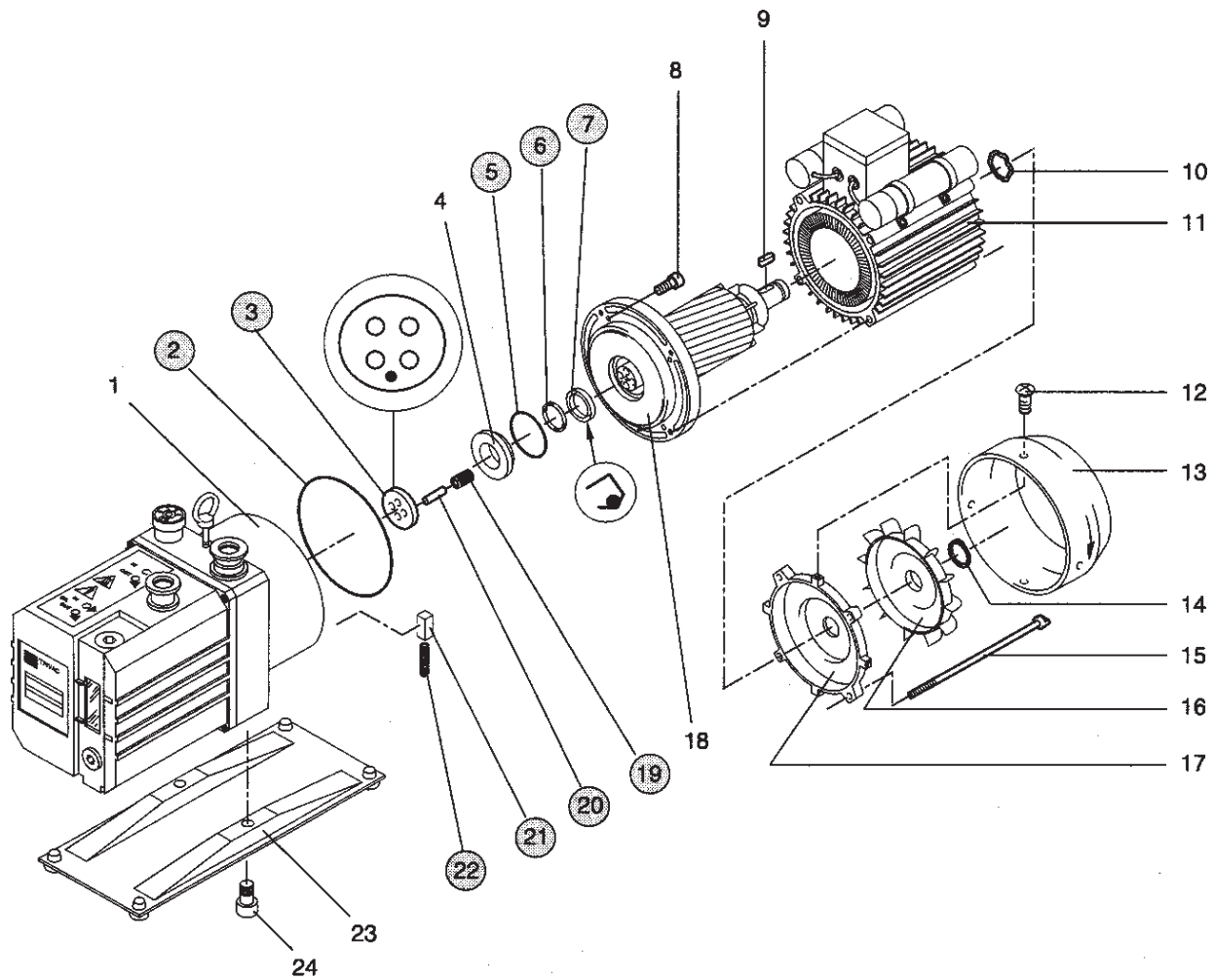
Place the seal for the oil box (2/39) into the groove in the oil box, see enlarged detail B (sketch 2, page 21).

Place the sealing strip (2/7*) on to the guide panel (2/7).

Fit the oil box (2/40) and tighten with four hex. socket bolts (2/1) with washers (2/2) (torque = 5.5 Nm).





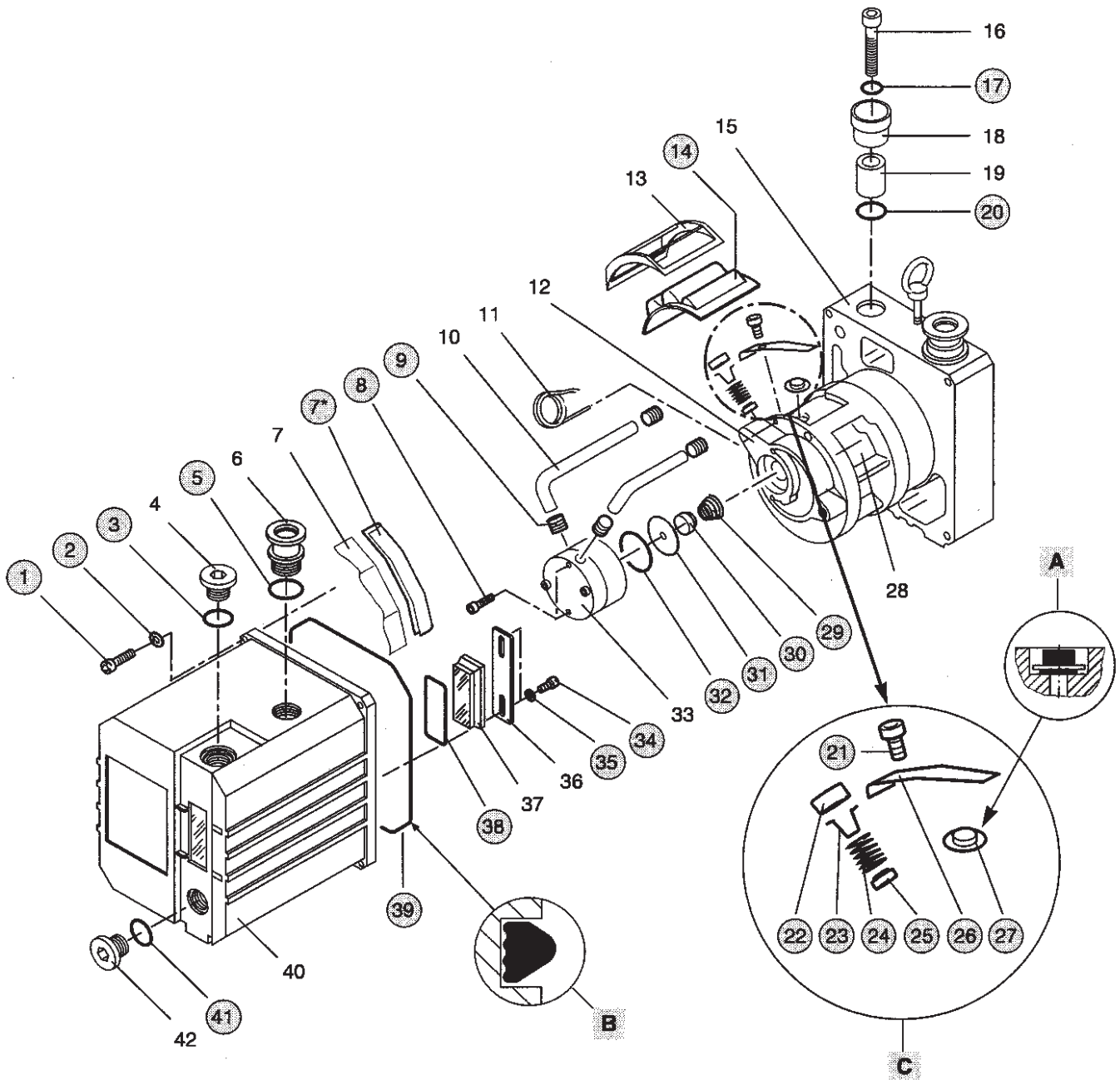


Key to Fig. 1

- | | |
|------------------------------|-------------------------------------|
| 1 HV bearing piece | 14 Securing ring |
| 2 O-ring | 15 Tie rods (4x) |
| 3 Oil pump | 16 Fan wheel |
| 4 Bushing for the shaft seal | 17 B-bearing plate |
| 5 O-ring | 18 A-bearing plate with motor rotor |
| 6 Spacer | 19 Coupling bushings (4x) |
| 7 Shaft seal | 20 Coupling pins (4x) |
| 8 Hex. socket bolts (4x) | 21 Stopper |
| 9 Key | 22 Compression spring |
| 10 Spring disk | 23 Base |
| 11 Motor stator | 24 Hex. socket bolts (4x) |
| 12 Bolts/fan cowl (4x) | |
| 13 Fan cowl | |

● - parts included in the repair kit

Fig. 1 Complete kit for D 16 E



Key to Fig. 2

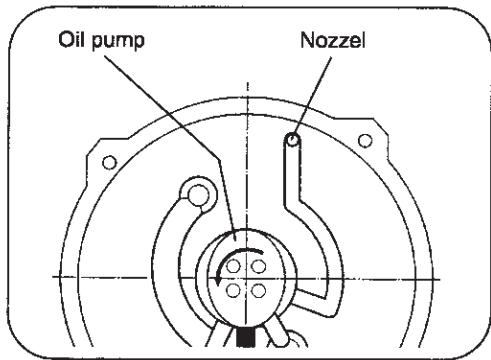
- | | | |
|--|------------------------------|--------------------------|
| 1 Hex. socket bolt | 14 Internal demister | 29 Compression spring |
| 2 Washer | 15 High vacuum bearing plate | 30 Non-return valve |
| 3 Sealing ring | 16 Hex. socket bolt | 31 Gas ballast - orifice |
| 4 Oil-fill plug | 17 Flat seal | 32 O-ring |
| 5 Sealing ring | 18 Gas ballast valve - cap | 33 Diaphragm valve |
| 6 Exhaust port | 19 Gas ballast valve | 34 Cylinder head bolt |
| 7 Guide panel | 20 Flat seal | 35 Washer |
| 7* Sealing strip | 21 Hex. socket bolt | 36 Holding panel |
| 8 Hex. socket bolt | 22 Valve holder | 37 Oil level glass |
| 9 Rubber insert (4x) | 23 Stroke restrictor | 38 Contoured seal |
| 10 Oil or gas ballast pipe | 24 Compression spring | 39 Seal for the oil box |
| 11 Spring clip | 25 Sealing element | 40 Oil box |
| 12 End plate | 26 Valve bracket | 41 Sealing ring |
| 13 Holding frame for internal demister | 27 Bypass valve | 42 Oil drain plug |
| | 28 Forevacuum pot | |

Enlarged views

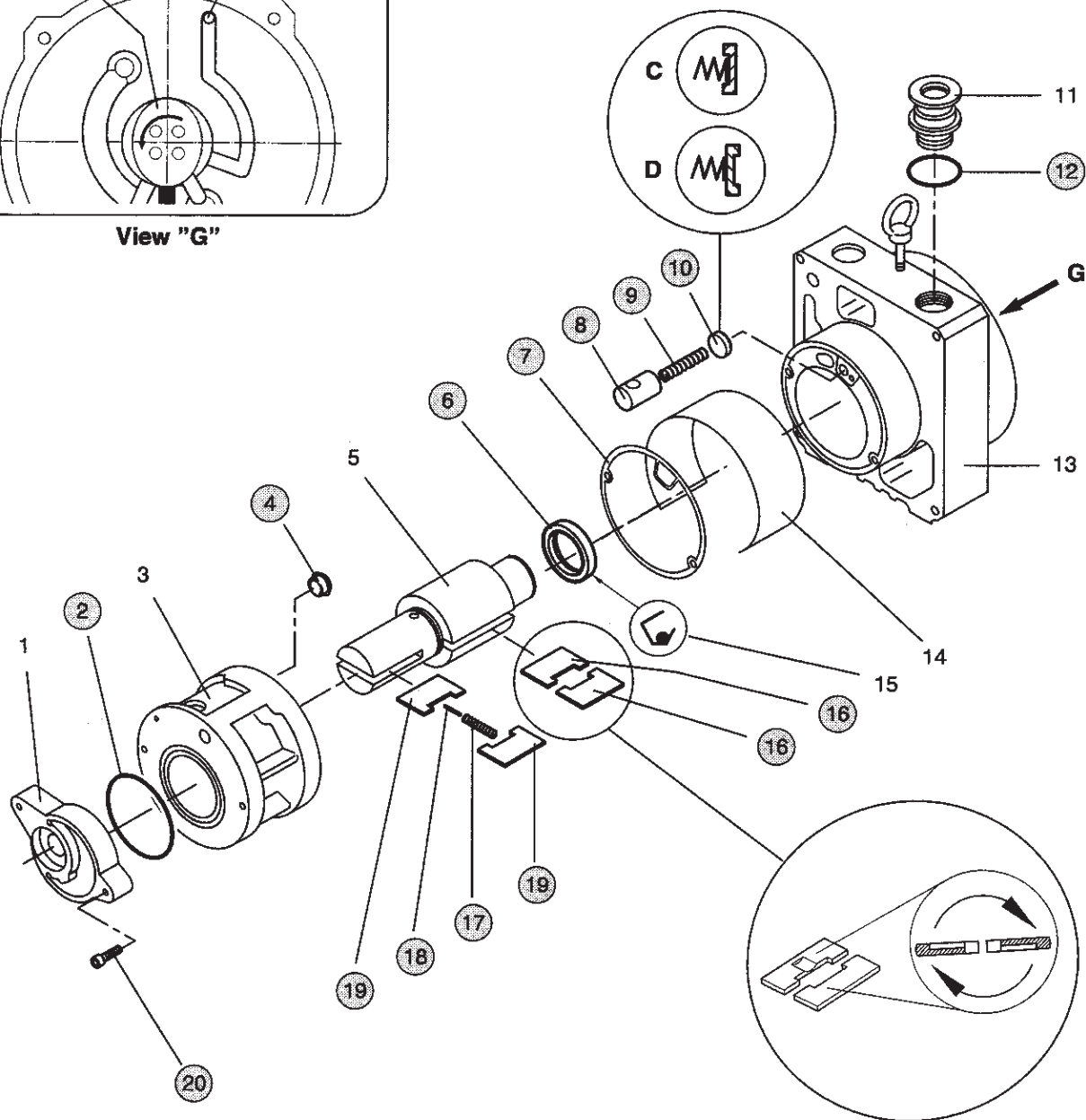
- A - Position of the bypass valve
 B - Seal for the oil box
 C - Components of the valves

● - Parts included in the complete kit

Fig. 2 Complete kit for D 16 E



View "G"



Enlarged view F
Position of the HV vanes

Key to Fig. 3

- | | |
|----------------------|--------------------------------|
| 1 End plate | 12 O-ring |
| 2 O-ring | 13 High vacuum bearing piece |
| 3 Forevacuum pot | 14 Oil guiding panel |
| 4 Sealing nipple | 15 Position/shaft sealing ring |
| 5 Rotor | 16 Vane (HV) |
| 6 Shaft sealing ring | 17 Compression spring |
| 7 Flat seal | 18 Guide pin |
| 8 Tandem valve | 19 Vane (FV) |
| 9 Compression spring | 20 Hex. socket bolt |
| 10 Spacer | |
| 11 Intake port | |

Enlarged views

- C - without gas ballast
- D - with gas ballast

● - Parts included in the complete kit

Fig. 3 Complete kit (for D 5 E - D 10 E)

5 Torque for the Bolts

Bolts at...	Fig. / Item	Quantity	Torque in Nm ($\pm 10\%$)
Diaphragm valve	2/8	2	5.5
Oil box	2/1	4	5.5
Gas ballast valve	2/16	1	11
Valve bracket	2/21	1	5.5
Pump's base	1/24	2	23
Tie rods	1/15	4	4
End plate	3/20	2	5.5

6 Overview on the Maintenance and Repair Kits

	Description	Maintenance/repair interval
Maintenance kit 1 for TRIVAC D 1.2 - 16 E	Simple maintenance for: - Oil separator (internal demister) - Seal for the oil box	1/year
Maintenance kit 2 for TRIVAC D 1.2 - 16 E	Full maintenance for: - Oil separator (internal demister) - All seals - Wearing parts	3 years
Repair kit 1 for TRIVAC D 1.2 - 16 E	Simple repair kit for: - Sealing of the motor side, as well as exchange of wearing parts, coupling sleeves and compression spring oil pump	as required
Repair kit 2 for TRIVAC D 1.2 - 16 E	Simple repair kit for: - Valves - Oils separator - Seal for the oil box	as required
Repair kit 3 for TRIVAC D 1.2 - 16 E	Complete repair kit for: - Exchanging the oil separator (int. demister) - Exchange of all seals - Exchange of wearing parts	as required

We reserve the right to alter the design or any data given in these Operating Instructions. The illustrations are not binding.