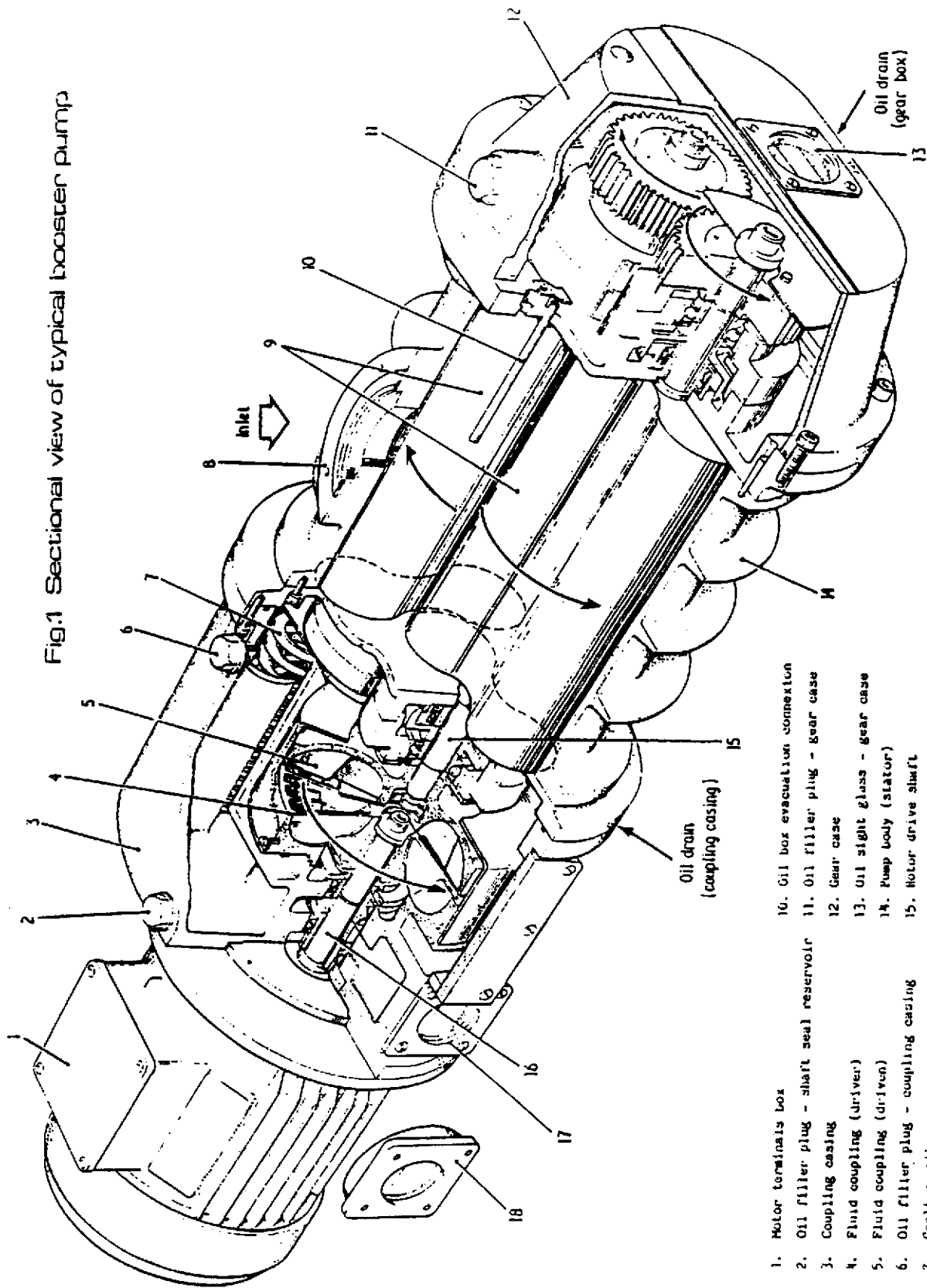


Fig.1 Sectional view of typical booster pump



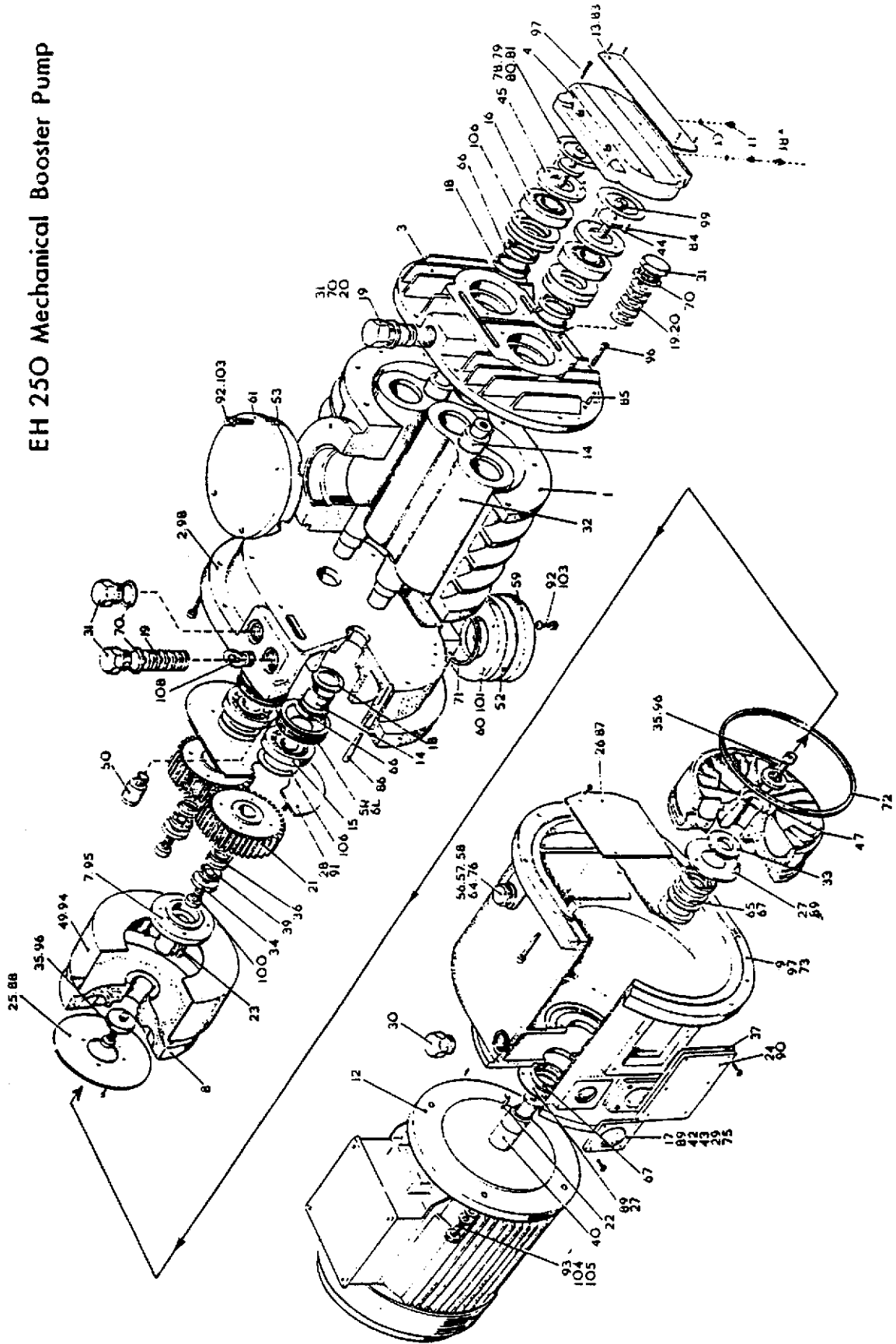
- 1. Motor terminals box
- 2. Oil filler plug - shaft seal reservoir
- 3. Coupling casing
- 4. Fluid coupling (driver)
- 5. Fluid coupling (driven)
- 6. Oil filler plug - coupling casing
- 7. Cooling coil
- 8. Co-seal
- 9. Motor(s)
- 10. Oil box evacuation connexion
- 11. Oil filler plug - gear case
- 12. Gear case
- 13. Oil sight glass - gear case
- 14. Pump body (stator)
- 15. Motor drive shaft
- 16. Motor shaft
- 17. Oil sight glass - coupling casing
- 18. Oil sight glass - shaft seal reservoir

# EH250 Mechanical Booster Pump - Parts List

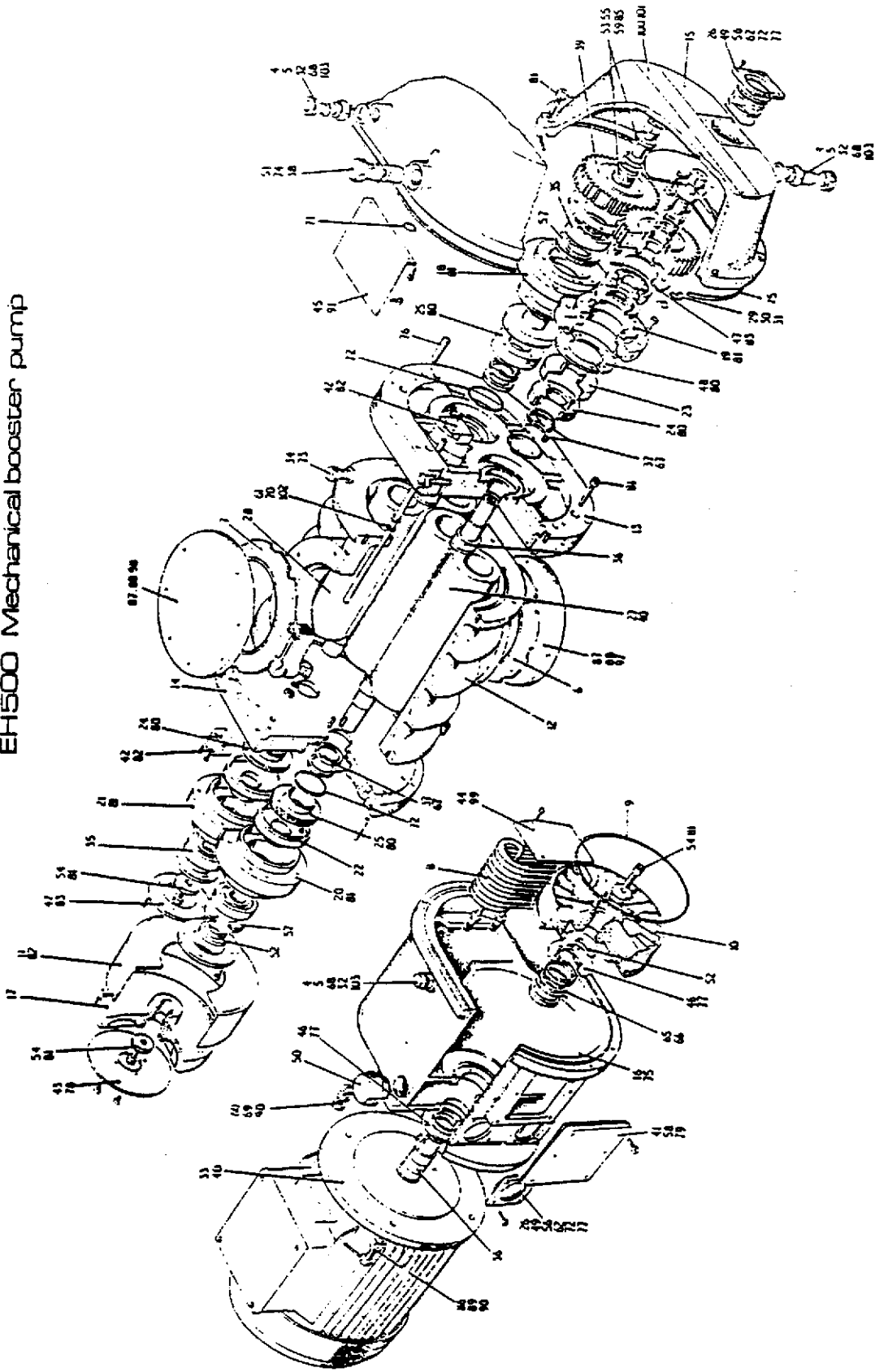
Item	Code No.	Description	Quantity
1	A 30151001	Stator	1
2	A 30151002	Headplate (Front)	1
3	A 30151003	Headplate (Rear)	1
4	A 30151004	End Cover	1
5	A 30151005	Oil Thruwer (Right Hand)	1
6	A 30151006	Oil Thruwer (Left Hand)	1
7	A 30151007	Coupling Shaft	1
8	A 30151008	Fluid Coupling (Driven)	1
9	A 30151009	Coupling Cover	1
10	H0212009	O' Ring	4
11	A 26002009	Plug 3/8 BSP	4
12	A 20001007	Motor	4
13	A 20001007	Label	1
14	A 20405001	Inner Ring	4
15	A 20403009	Ball Bearing - 6304 RS	2
16	A 20403010	Ball Bearing - 6304Z	2
17	A 20416001	Sight Glass Bezel	2
18	A 22102005	Dust Seal	4
19	A 22302015	Filter	11
20	A 22302016	Filter	2
21	A 22903010	Gears	1 Pair
22	A 24301005	Key	1
23	A 24301014	Key	1
24	A 25942001	Cover Plate	1
25	A 25970007	Coupling Baffle	1
26	A 25970008	Oil Reservoir Cover	1
27	A 25971002	Seal Retainer	2
28	A 25971016	Bearing Retainer	1
29	A 25976001	Sight Glass Reflector	1
30	A 26002002	Plug - 1/2in BSP (with vent hole)	2
31	A 26002003	Plug 1/2in BSP	1
32	A 26401045	Rotor	4
33	A 26407002	Thrust Ring	2
34	A 26407003	Thrust Ring	1
35	A 26407004	Thrust Ring	2
36	A 26440001	Locking Element	2
37	A 27159500	Gasket	2 Pairs
38	A 24601003	Mipple 3/8 BSP	1
39	A 27801001	Clamp Ring	2
40	A 27801006	Sleeve (Soft)	2
41	A 27820008	Compression Ring	2
42	A 29201004	Sight Glass	2
43	A 26407011	Thrust Ring	2
44	A 26407012	Spacer	2
45	A 30251006	Fluid Coupling (Driver)	1
46	A 30251021	Coupling Enclosure	1
47	A 30251021	Baffle Assembly	1
48	A 27158057	Co Seal 40mm	1
49	A 27158063	Co Seal 63mm	1

Item	Code No	Description	Quantity
55	C03400005	Union Nut	2
56	C03400007	Union Body	2
57	C03400011	Tailpiece	2
58	C10005040	ISO 40 Blank Flange	1
59	C10005099	Flange	1
60	C10007040	Blanking Flange 63mm	1
61			
62			
63			
64	H02104004	Bonded Seal	2
65	H02109047	Back-up Washer	2
66	H02109052	Oil Seal	4
67	H02109065	Oil Seal OESH 25-35-7 (Viton)	3
68			
69			
70	H02120061	O' Ring	4
71	H02120077	O' Ring	1
72	H02120099	O' Ring	1
73	H02120112	O' Ring	1
74			
75	H02125028	O' Ring	4
76	H02125121	O' Ring	2
77			
78	A 27165008	Shim - 0.20 mm Thick	AS REQD.
79	A 27165009	Shim - 0.25 mm Thick	AS REQD.
80	A 27165010	Shim - 0.35 mm Thick	AS REQD.
81	A 27165011	Shim - 0.40 mm Thick	AS REQD.
82			
83	211130301	Rivet	4
84	212170029	Spring Pin	4
85	212192016	Taper Pin	2
86	212192026	Taper Pin	2
87	218002328	Screw M5 x 10	3
88	218032288	Screw M4 x 10	4
89	218032328	Screw M5 x 10	14
90	218032330	Screw M5 x 16	6
91	218032369	Screw M6 x 12	8
92	218072413	Screw M8 x 30	8
93	218072452	Screw M10 x 25	4
94	218042287	Screw M4 x 8	6
95	218091370	Screw M6 x 16	4
96	218091371	Screw M6 x 20	12
97	218091372	Screw M6 x 25	17
98	218091375	Screw M6 x 40	9
99	218091412	Screw M8 x 25	2
100	218091452	Screw M10 x 25	2
101	218091411	Screw M8 x 20	4
102			
103	218980210	Washer M8	8
104	218980211	Washer M10	4
105	218980411	Shakeproof Washer M10	4
106	218980428	Pre-Load Waved Washer	8
107			
108	218790005	Eyebolt	1

# EH 250 Mechanical Booster Pump



EH1500 Mechanical booster pump

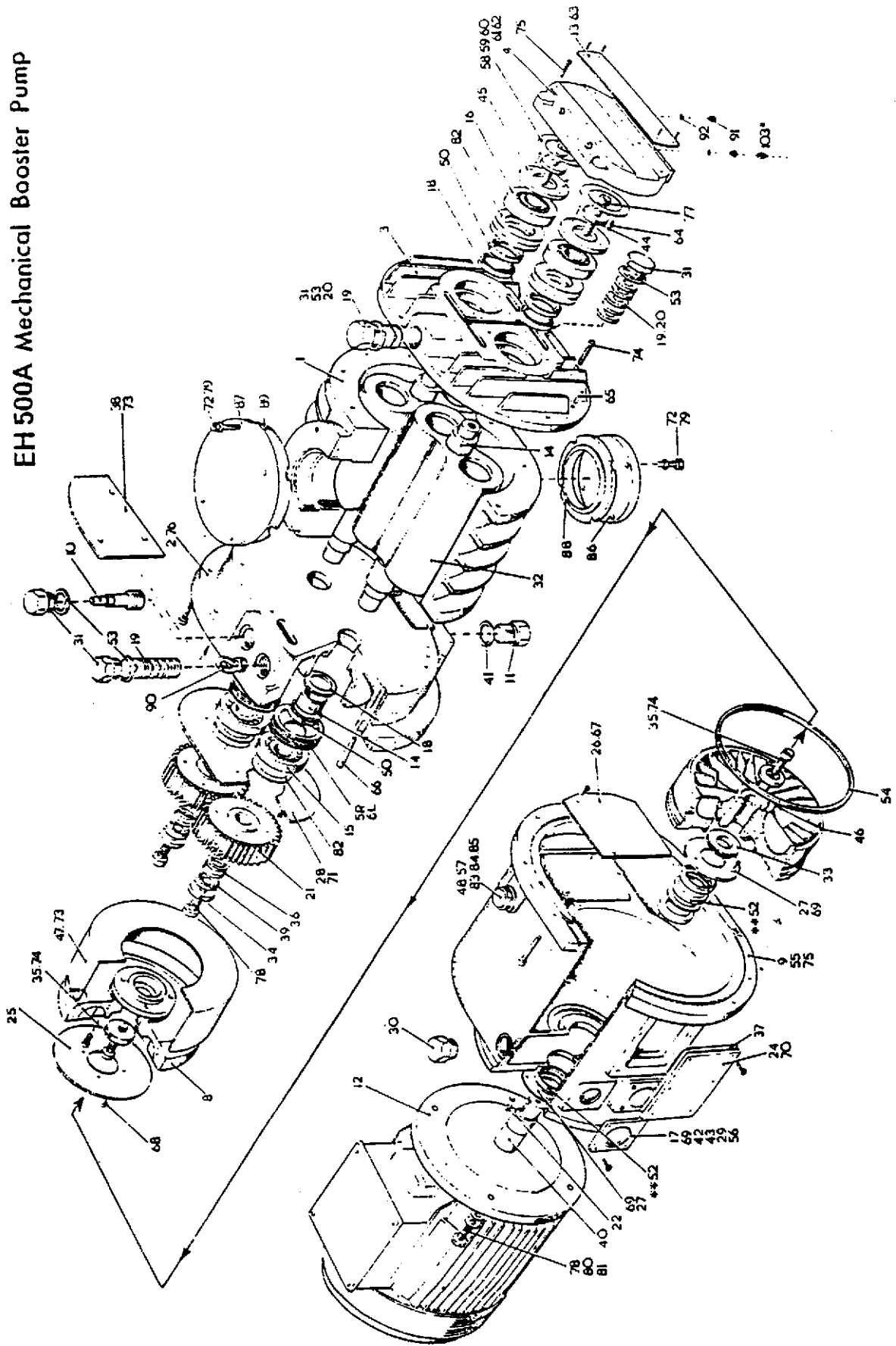


EH500 Mechanical booster pump -Parts list

Item	Code No.	Description	Quantity
1	-	-	-
2	-	-	-
3	-	-	-
4	C10340007	Vacuum Union Alternative Body	4
5	C10340011	Vacuum Union Blind (selfpiece)	4
6	H27150063	63mm Co-Seal	1
7	H27150070	100mm Co-Seal	1
8	A30251010	Couling Coll	1
9	-	O-ring	1
10	A30251006	Fluid Coupling - Driver Half	1
11	A30251009	Coupling Enclosure	1
12	A30251001	Stator	1
13	A30251002	Headplate - Gear End	1
14	A30251003	Headplate - Coupling End	1
15	A30251004	Gear Cover	1
16	A30251005	Coupling Cover	1
17	A30251007	Fluid Coupling - Driven Half	1
18	A30251011	Bearing Carrier - RH Gear End	1
19	A30251012	Bearing Carrier - LH Gear End	1
20	A30251013	Bearing Carrier - RH Coupling End	1
21	A30251014	Bearing Carrier - LH Coupling End	1
22	A30251015	Throw Ring - Coupling End	2
23	A30251016	Throw Ring - Gear End	2
24	A30251017	Seal Carrier - LH	2
25	A30251018	Seal Carrier - RH	2
26	A30251019	Sight Glass Haze	3
27	A26401016	Rotor - Driver	1
28	A26401017	Rotor - Driven	1
29	A27165001	Shim - 0.05mm thickness	As required
30	A27165002	Shim - 0.10mm thickness	As required
31	A27165003	Shim - 0.25mm thickness	As required
32	C03400005	Union Nut	4
33	A07112003	Motor	1
34	A09000007	Plug	1
35	A20403006	Ball Bearing	1
36	A20405001	Inner Ring	4
37	A22302005	Dust Seal	7
38	A22302006	Filter	4
39	A22003004	Gears	1
40	A24301005	Key	1 pair
41	A25942001	Cover Plate	2
42	A25970020	Evacuation Barffle	1
43	A25970007	Coupling Barffle	2
44	A25970008	Oil Reservoir Cover	1
45	A25970009	Gear Cover Barffle	1
46	A25971002	Seal Retainer	1
47	A25971003	Bearing Retainer	1
48	A25971004	Retainer (2 halves)	2
49	A25976001	Sight Glass Reflector	3
50	A26002002	Plug	1
51	A26002003	Plug	1
52	A26002004	Plug	1

Item	Code No.	Description	Quantity
53	A26407003	Thrust Ring	2
54	A26407004	Thrust Ring	3
55	A26440001	Locking Element - Ringfeeder	4 pairs
56	A26501011	Seal	3
57	218965235	Diec Spring	12
58	A27159500	Gasket	1
59	A27801001	Clamp Ring	2
60	A27802002	Spacer	2
61	A27804001	Evacuation Tube	1
62	A29201004	Sight Glass	3
63	-	-	-
64	A25970017	Oil Splasher	1
65	H02109046	Spiralseal	3
66	H02109047	Back-Up Washer	2
67	H02109052	Seal	4
68	H02105121	O-ring	4
69	H02120016	O-ring	2
70	H02120031	O-ring	2
71	H02120011	O-ring	1
72	H02120023	O-ring	7
73	H02120034	O-ring	1
74	H02120061	O-ring	1
75	H02120112	O-ring	2
76	212191043	Taper Pin	4
77	218032328	Screw	18
78	210032288	Screw	4
79	218032330	Screw	4
80	218091280	Screw	6
81	218091372	Screw	28
82	218002286	Screw	52
83	210002329	Screw	10
84	218002360	Screw	16
85	218031452	Screw	4
86	218072452	Screw	2
87	218072413	Screw	4
88	218980210	Washer	12
89	218980211	Washer	12
90	218984011	Washer	4
91	218980209	Washer	4
92	M01500009	Locknut	4
93	-	-	2
94	-	-	-
95	-	-	-
96	-	-	-
97	C10007040	Blanking Flange - 15063	-
98	C10009040	Blanking Flange - 150100	-
99	210002328	Screw	1
100	A20001059	Label	6
101	A09407040	Rivet	1
102	A26406001	Spacer	6
103	H02104004	Seal	2

# EH 500A Mechanical Booster Pump



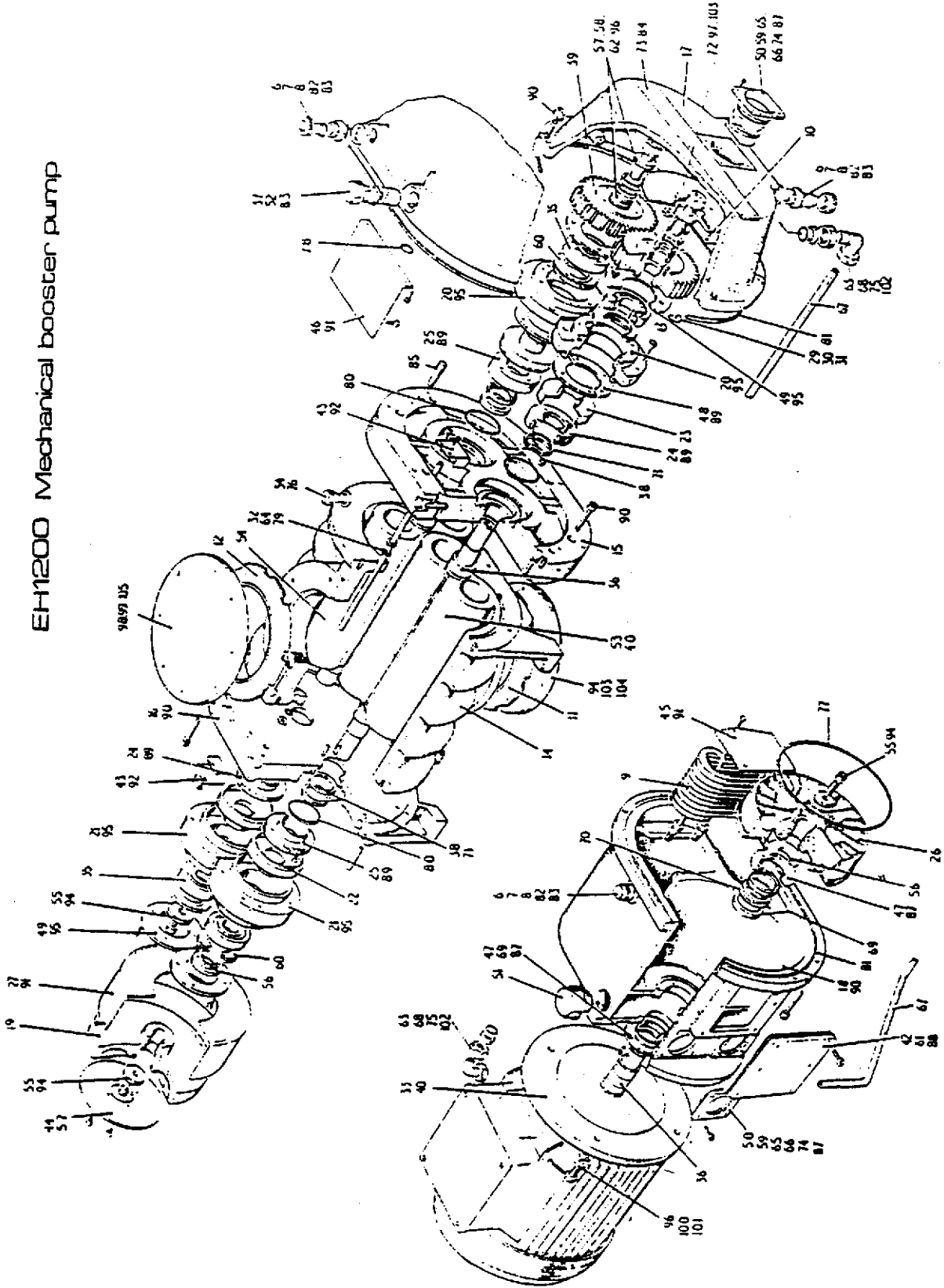
# EH500 A Mechanical booster pump Parts list

ITEM	LINE NO.	DESCRIPTION	QUANTITY
1	A30271001	Stator	1
2	A30271002	Headplate (front)	1
3	A30271006	Headplate (rear)	1
4	A30271004	End cover	1
5	A30151005	Oil thrower (right hand)	1
6	A30151006	Oil thrower (right hand)	1
7	-	-	1
8	A30271007	Fluid coupling (driven)	1
9	A30151009	Coupling cover	1
10	A30151011	Evacuation adaptor	1
11	A26002018	Plug in BSP	1
12	-	-	1
13	A20001096	Motor (see label)	1
14	A20405001	Label	1
15	A20403009	Inner ring	4
16	A20402010	Bearing	2
17	A29416001	Bearing	2
18	A22302005	Sight glass bezel	2
19	A22302015	Dust seal	4
20	A22302016	Filter	11
21	A22903013	Filter	2
22	A24301005	Gears	1pc
23	-	-	1
24	A25942001	Key	1
25	A25970007	Cover plate	1
26	A25970008	Coupling baffle	1
27	A25971002	Oil reservoir cover	1
28	A25971016	Seal retainer	2
29	A25976001	Bearing retainer	2
30	A26002023	Sight glass reflector	2
31	A26002021	Plug in BSP	1
32	A26401063	Plug in BSP	4
33	A26407002	Rotor	2
34	A26407003	Thrust ring	1
35	A264071004	Thrust ring	2
36	A26440001	Thrust ring	2
37	A27159500	Locking element (ring feeder)	2
38	A25970056	Gasket	2pr
39	A27801001	Baffle plate	1
40	A27801006	Clamp ring	1
41	H02104002	Sleeve (soft)	2
42	A27820008	Rubber bonded seal in BSP	2
43	A29201004	Compression ring	2
44	A26407011	Sight glass	2
45	A26407015	Thrust ring	2
46	A30251006	Spacer	2
47	A30154001	Fluid coupling (driver)	1
	A30152001	Coupling enclosure (60Hz Fumblin)	1
	A30252002	Coupling enclosure (50Hz Fumblin)	1
48	H02104004	Coupling enclosure (50Hz)	1
49	H02104047	Seal in BSP	2
		Washer	2

ITEM	LINE NO.	DESCRIPTION	QUANTITY
50	H02109052	T.F.E. lipseal	4
51	H02109065	'Spiroseal' (Viton)	3
52	H02120061	'Simril' seal	3
53	H02120061	U-ring	4
54	H02120099	U-ring	1
55	H02120112	U-ring	1
56	H02125028	U-ring	4
57	H02125121	O-ring	4
58	A27165008	Shim 0.20mm thick	2
59	A27165009	Shim 0.25mm thick	As required
60	A27165010	Shim 0.35mm thick	As required
61	A27165011	Shim 0.40mm thick	As required
62	A27165018	Shim 0.3mm thick	As required
63	211430301	Rivet ('Chobert')	4
64	211174033	Spring pin	2
65	212192016	Taper pin	2
66	212192026	Taper pin	2
67	218002328	Screw M5	3
68	218032288	Screw M4	4
69	218032328	Screw M5	4
70	218032330	Screw M5	3
71	218032369	Screw M6	4
72	218072413	Screw M6	6
73	218042287	Screw M8	8
74	218091371	Screw M4	12
75	218091372	Screw M6	9
76	218091375	Screw M6	11
77	218091412	Screw M6	17
78	218091452	Screw M6	13
79	218940210	Screw M10	2
80	218940211	Washer M8	2
81	218940411	Washer M10	6
82	218984728	Washer M10	4
83	C03400005	Washer	4
84	C03400007	Union nut in	4
85	C03400011	Union alternative body in	4
86	C10007040	Union blind tailpiece	2
87	C10009040	Blanking flange	2
88	B27158063	Blanking flange	1
89	B27158070	'Co-seal' assembly 63mm	1
90	218790005	'Co-seal' assembly 1000mm	1
91	H02121009	Eyebolt M12	2
92	H02121009	Plug 1/8in BSP	4
93	A28601003	O-ring (Viton)	4
94	A28601003	Ripple 3/8in BSP	1

LUBRICATING PURPOSES ONLY

EH1200 Mechanical booster pump

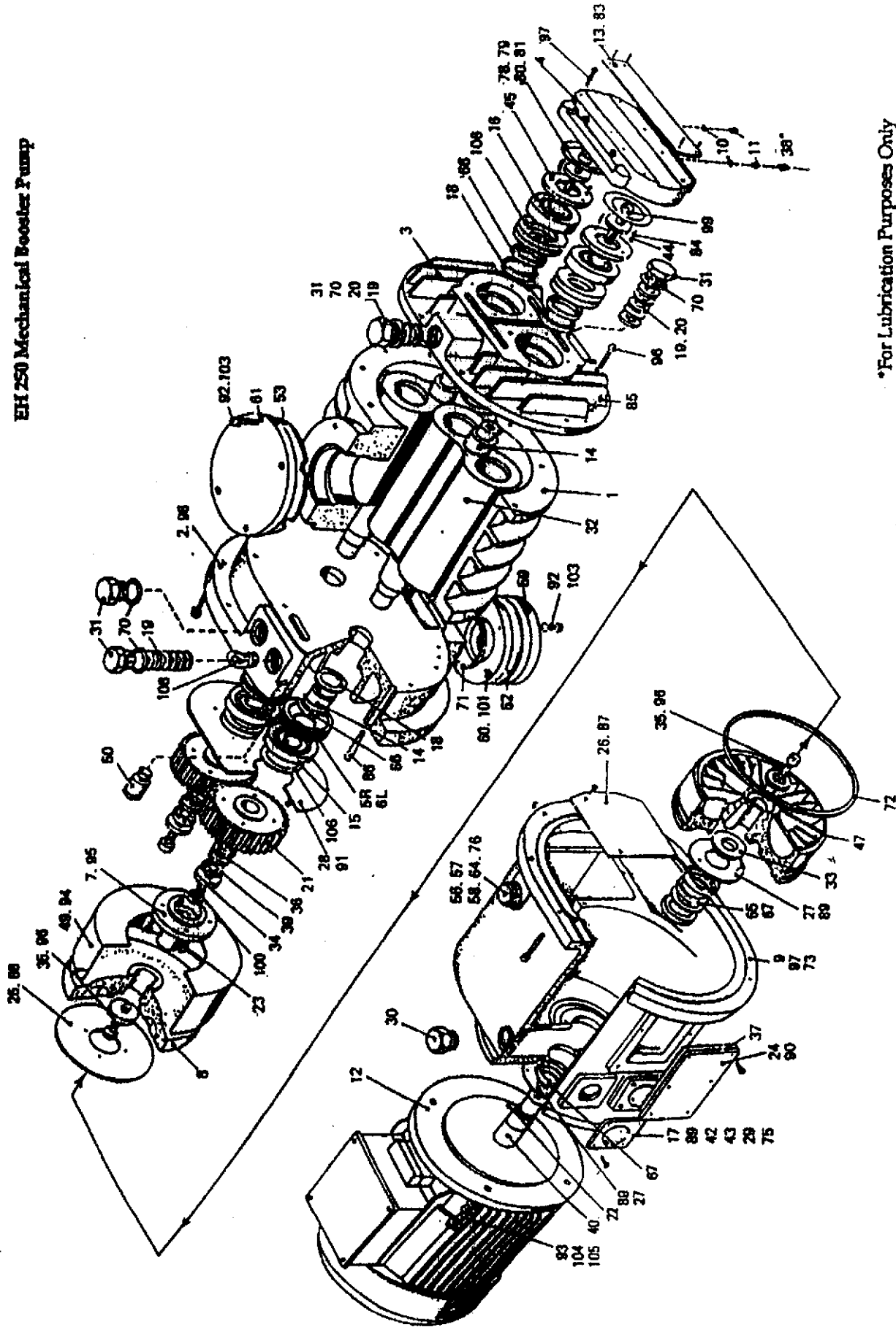


MO3978R

EH1200 Mechanical booster pump - Parts list

Item	Code No.	Description	Quantity
1			
2			
3			
4			
5			
6			
7			
8			
9			
10			
11			
12			
13			
14			
15			
16			
17			
18			
19			
20			
21			
22			
23			
24			
25			
26			
27			
28			
29			
30			
31			
32			
33			
34			
35			
36			
37			
38			
39			
40			
41			
42			
43			
44			
45			
46			
47			
48			
49			
50			
51			
52			
53			
54			
55			
56			
57			
58			
59			
60			
61			
62			
63			
64			
65			
66			
67			
68			
69			
70			
71			
72			
73			
74			
75			
76			
77			
78			
79			
80			
81			
82			
83			
84			
85			
86			
87			
88			
89			
90			
91			
92			
93			
94			
95			
96			
97			
98			
99			
100			
101			
102			
103			
104			
105			
106			
107			
108			
109			
110			
111			
112			
113			
114			
115			
116			
117			
118			
119			
120			
121			
122			
123			
124			
125			
126			
127			
128			
129			
130			
131			
132			
133			
134			
135			
136			
137			
138			
139			
140			
141			
142			
143			
144			
145			
146			
147			
148			
149			
150			
151			
152			
153			
154			
155			
156			
157			
158			
159			
160			
161			
162			
163			
164			
165			
166			
167			
168			
169			
170			
171			
172			
173			
174			
175			
176			
177			
178			
179			
180			
181			
182			
183			
184			
185			
186			
187			
188			
189			
190			
191			
192			
193			
194			
195			
196			
197			
198			
199			
200			
201			
202			
203			
204			
205			
206			
207			
208			
209			
210			
211			
212			
213			
214			
215			
216			
217			
218			
219			
220			
221			
222			
223			
224			
225			
226			
227			
228			
229			
230			
231			
232			
233			
234			
235			
236			
237			
238			
239			
240			
241			
242			
243			
244			
245			
246			
247			
248			
249			
250			
251			
252			
253			
254			
255			
256			
257			
258			
259			
260			
261			
262			
263			
264			
265			
266			
267			
268			
269			
270			
271			
272			
273			
274			
275			
276			
277			
278			
279			
280			
281			
282			
283			
284			
285			
286			
287			
288			
289			
290			
291			
292			
293			
294			
295			
296			
297			
298			
299			
300			
301			
302			
303			
304			
305			
306			
307			
308			
309			
310			
311			
312			
313			
314			
315			
316			
317			
318			
319			
320			
321			
322			
323			
324			
325			
326			
327			
328			
329			
330			
331			
332			
333			
334			
335			
336			
337			
338			
339			
340			
341			
342			
343			
344			
345			
346			
347			
348			
349			
350			
351			
352			
353			
354			
355			
356			
357			
358			
359			
360			
361			
362			
363			
364			
365			
366			
367			
368			
369			
370			
371			
372			
373			
374			
375			
376			
377			
378			
379			
380			
381			
382			
383			
384			
385			
386			
387			
388			
389			
390			
391			
392			
393			
394			
395			
396			
397			
398			
399			
400			
401			
402			
403			
404			
405			
406			
407			
408			
409			
410			
411			
412			
413			
414			
415			
416			
417			
418			
419			
420			
421			
422			
423			
424			
425			
426			
427			
428			
429			
430			
431			
432			
433			
434			
435			
436			
437			
438			
439			
440			
441			
442			
443			
444			
445			
446			
447			
448			
449			
450			
451			
452			
453			
454			
455			
456			
457			
458			
459			
460			
461			
462			
463			
464			
465			
466			
467			
468			
469			
470			
471			
472			
473			
474			
475			
476			
477			
478			
479			
480			
481			
482			
483			
484			
485			
486			
487			
488			
489			
490			
491			
492			
493</			

**EH 250 Mechanical Booster Pump**



\*For Lubrication Purposes Only

## PARTS LIST

## 8. PARTS LIST

EH250 Mechanical Booster Pump — Parts List

Item No.	Code No.	Description	Quantity
1	A30151001	Stator	1
2	A30151002	Headplate (Front)	1
3	A30151003	Headplate (Rear)	1
4	A30151004	End Cover	1
5	A30151005	Oil Thrower (Right Hand)	1
6	A30151006	Oil Thrower (Left Hand)	1
7	A30151007	Coupling Shaft	1
8	A30151008	Fluid Coupling (Driven)	1
9	A30151009	Coupling Cover	1
⑩	H02122009	'O'-ring	4
11	A26002009	Plug $\frac{3}{8}$ BSP	4
12	—	Motor	1
13	A20001007	Label	1
14	A20405001	Inner Ring	4
15	A20403009	Ball Bearing — 6304 RS	2
16	A20403010	Ball Bearing — 6304Z	2
17	A20416001	Sight Glass Bezel	2
⑮	A22302005	Dust Seal	4
⑰	A22302015	Filter	11
⑱	A22302016	Filter	2
21	A22903010	Gears	1 Pair
22	A24301005	Key	1
23	A24301014	Key	1
24	A25942001	Cover Plate	1
25	A25970007	Coupling Baffle	1
26	A25970008	Oil Reservoir Cover	1
27	A25971002	Seal Retainer	2
28	A25971016	Bearing Retainer	1
29	A25976001	Sight Glass Reflector	2
30	A26002002	Plug — 1in BSP (with vent hole)	1
31	A26002003	Plug $\frac{1}{2}$ BSP	4
32	A26401045	Rotor	2
33	A26407002	Thrust Ring	1
34	A26407003	Thrust Ring	2
35	A26407004	Thrust Ring	2
36	A26440001	Locking Element	2 Pairs
⑳	A27159500	Gasket	1
**38	A24601003	Nipple $\frac{3}{8}$ BSP	1

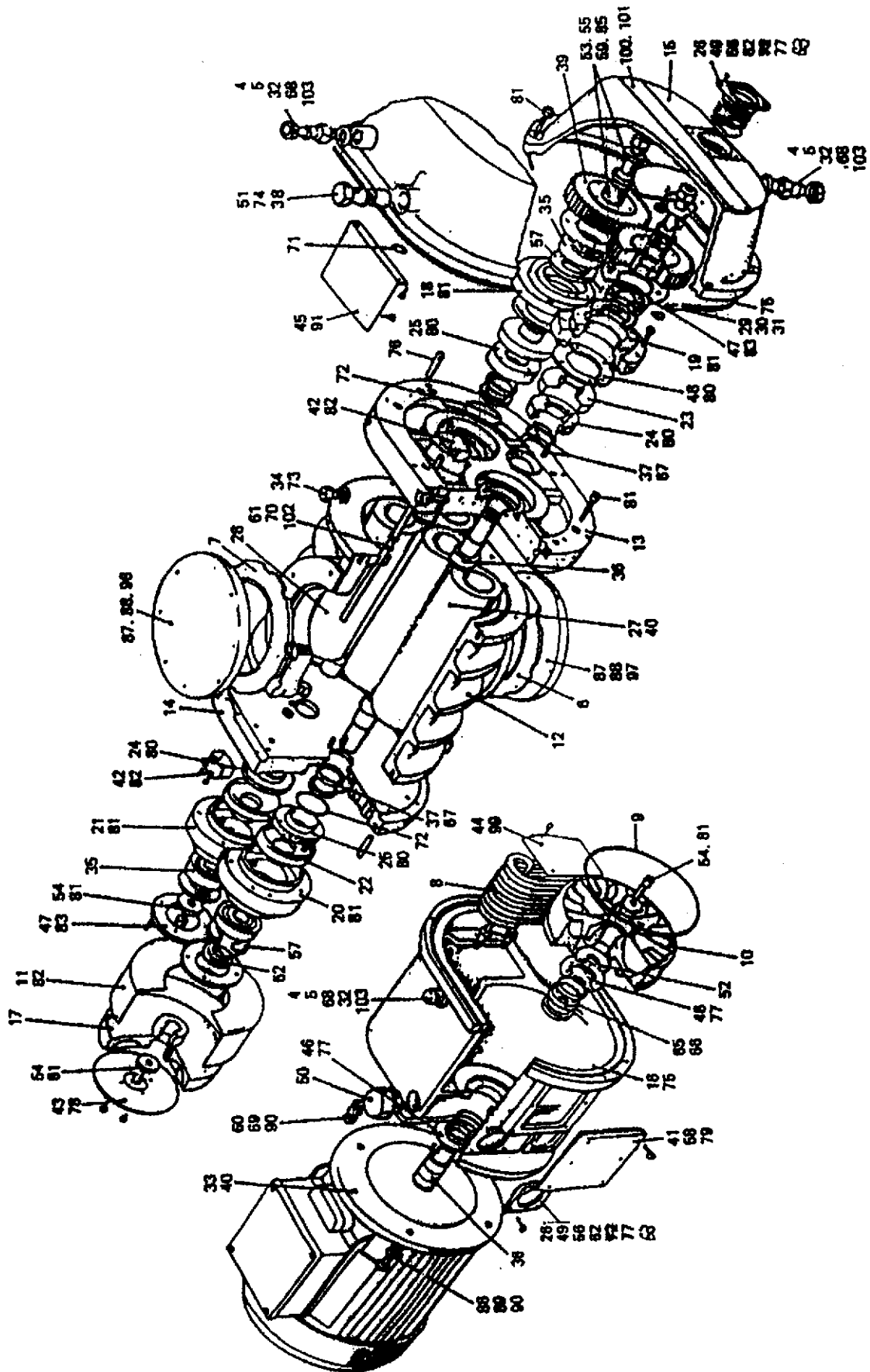
\*\* EH250 model only (For lubrication purposes)

## PARTS LIST

## EH250 Mechanical Booster Pump — Parts List (continued)

Item No.	Code No.	Description	Quantity
81	A27165011	Shim — 0.40 mm Thick	AS REQD.
82	—	—	—
83	211430301	Rivet	4
84	212170029	Spring Pin	4
85	212192016	Taper Pin	2
86	212192026	Taper Pin	2
87	218002328	Screw M5 x 10	3
88	218032288	Screw M4 x 10	4
89	218032328	Screw M5 x 10	14
90	218032330	Screw M5 x 16	6
91	218032369	Screw M6 x 12	8
92	218072413	Screw M8 x 30	8
93	218072452	Screw M10 x 25	4
94	218042287	Screw M4 x 8	6
95	218091370	Screw M6 x 16	4
96	218091371	Screw M6 x 20	12
97	218091372	Screw M6 x 25	17
98	218091375	Screw M6 x 40	9
99	218091412	Screw M8 x 25	2
100	218091452	Screw M10 x 25	2
101	218091411	Screw M8 x 20	4
102	—	—	—
103	218980210	Washer M8	8
104	218980211	Washer M10	4
105	218984011	Shakeproof Washer M10	4
106	218984728	Pre-Load Waved Washer	8
107	—	—	—
108	218790005	Eyebolt	1

**EH500 Mechanical booster pump**



## PARTS LIST

## EH500 Mechanical Booster Pump — Parts List

Item No.	Code No.	Description	Quantity
1	—	—	—
2	—	—	—
3	—	—	—
4	C03400007	Vacuum Union Alternative Body	4
5	C03400011	Vacuum Union Blind Tailpiece	4
6	027158063	63mm Co-Seal	1
7	027158070	100mm Co-Seal	1
8	A30251010	Cooling Coil	1
9		'O'-ring	1
10	A30251006	Fluid Coupling — Driver Half	1
11	A30251009	Coupling Enclosure	1
12	A30251001	Stator	1
13	A30251002	Headplate — Gear End	1
14	A30251003	Headplate — Coupling End	1
15	A30251004	Gear Cover	1
16	A30251005	Coupling Cover	1
17	A30251007	Fluid Coupling — Driven Half	1
18	A30251011	Bearing Carrier — RH Gear End	1
19	A30251012	Bearing Carrier — LH Gear End	1
20	A30251013	Bearing Carrier — RH Coupling End	1
21	A30251014	Bearing Carrier — LH Coupling End	1
22	A30251015	Throw Ring — Coupling End	2
23	A30251016	Throw Ring — Gear End	2
24	A30251017	Seal Carrier — LH	2
25	A30251018	Seal Carrier — RH	2
26	A30251019	Sight Glass Bezel	3
27	A26401016	Rotor — Driver	1
28	A26401017	Rotor — Driven	1
29	A27165001	Shim — 0.05mm thickness	As required
30	A27165002	Shim — 0.10mm thickness	As required
31	A27165003	Shim — 0.25mm thickness	As required
32	C03400005	Union Nut	4
33	A07112003	Motor	1
34	A09000087	Plug	1
35	A20403006	Ball Bearing	4
36	A20405001	Inner Ring	7
37	A22302005	Dust Seal	4
38	A22302006	Filter	1
39	A22903004	Gears	1 pair
40	A24301005	Key	2
41	A25942001	Cover Plate	1
42	A25970020	Evacuation Baffle	2
43	A25970007	Coupling Baffle	1
44	A25970008	Oil Reservoir Cover	1

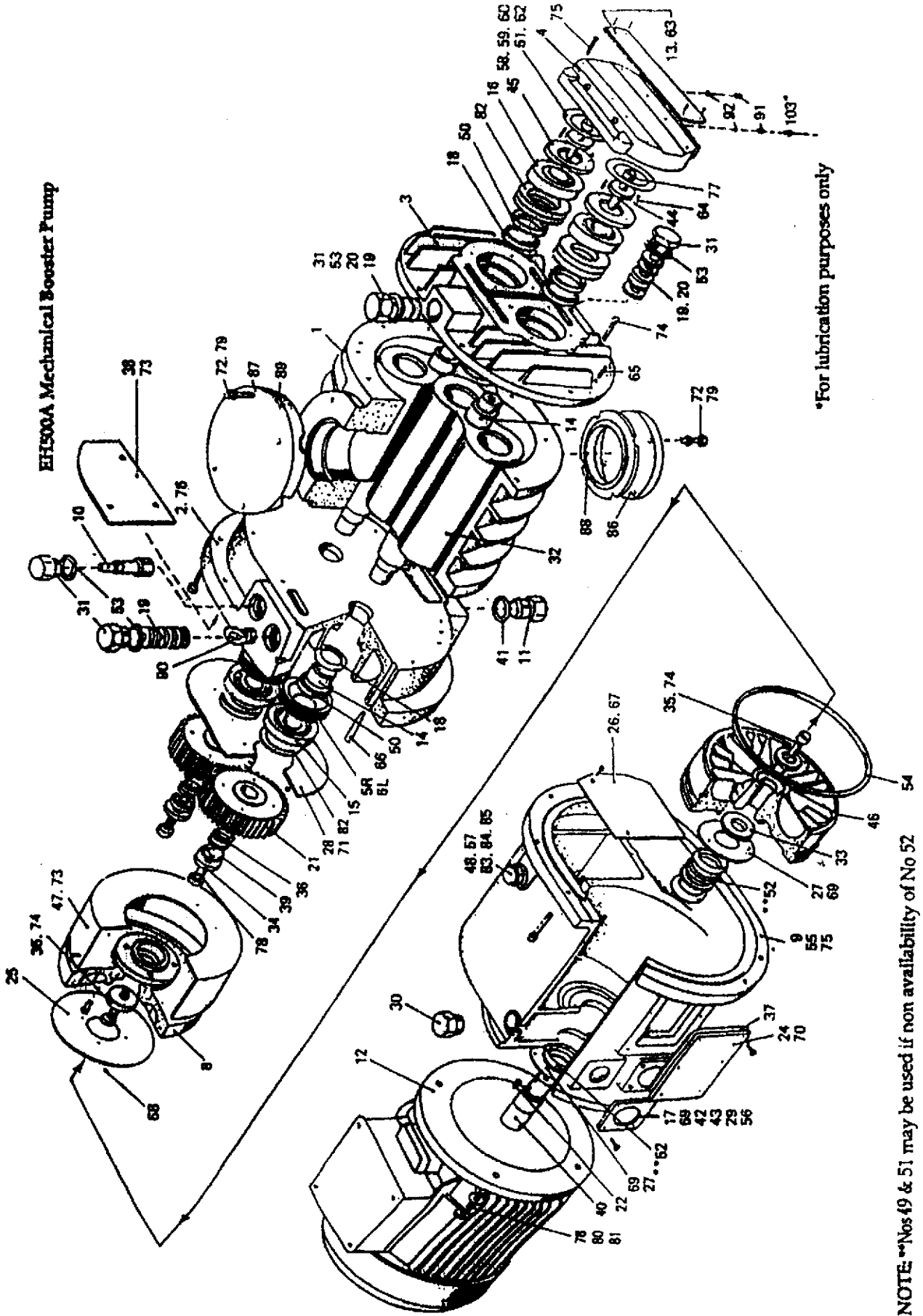
**EH500 Mechanical Booster Pump — Parts List (continued)**

Item No.	Code No.	Description	Quantity
45	A25970009	Gear Cover Baffle	1
46	A25971002	Seal Retainer	2
47	A25971003	Bearing Retainer	4
48	A25971004	Retainer (2 halves)	2
49	A25976001	Sight Glass Reflector	3
50	A26002002	Plug	1
51	A26002003	Plug	1
52	A26407002	Thrust Ring	2
53	A26407003	Thrust Ring	2
54	A26407004	Thrust Ring	3
55	A26440001	Locking Element — Ringfoder	4 pairs
56	A26501011	Seal	3
57	218985235	Disc Spring	12
58	A27159500	Gasket	1
59	A27801001	Clamp Ring	2
60	A27802002	Spacer	2
61	A27804001	Evacuation Tube	1
62	A29201004	Sight Glass	3
63	— H02126028	— O-RING	— 6
64	A25970017	Oil Splasher	1
65	H02109046	Spiroseal	3
66	H02109047	Back-Up Washer	2
67	H02109052	Seal	4
68	H02105121	O-ring	4
69	H02120016	O-ring	2
70	H02120031	O-ring	2
71	H02120011	O-ring	1
72	H02120023	O-ring	4
73	H02120034	O-ring	1
74	H02120061	O-ring	1
75	H02120112	O-ring	2
76	212191043	Taper Pin	4
77	218032320	Screw	18
78	218032288	Screw	4
79	218032330	Screw	6
80	218091288	Screw	20
81	218091372	Screw	52
82	218002286	Screw	10
83	218002329	Screw	16
84	218002368	Screw	4
85	218031452	Screw	2
86	218072452	Screw	4
87	218072413	Screw	12
88	218980210	Washer	12

## PARTS LIST

## EH300 Mechanical Booster Pump— Parts List (continued)

Item No.	Code No.	Description	Quantity
89	218980211	Washer	4
90	218984011	Washer	4
91	218980209	Washer	4
92	M01500009	Locknut	2
93	—	—	—
94	—	—	—
95	—	—	—
96	—	—	—
97	C10007040	Blanking Flange — ISO63	1
98	C10009040	Blanking Flange — ISO100	1
99	218002328	Screw	6
100	A20001059	Label	1
101	A09402040	Rivet	6
102	A26406001	Spacer	2
103	H02104004	Seal	4



# Parts List

## EH500A Mechanical Booster Pump — Parts List

Item No.	Code No.	Description	Quantity
1	A30271001	Stator	1
2	A30271002	Headplate (Front)	1
3	A30271006	Headplate (Rear)	1
4	A30271004	End Cover	1
5	A30151005	Oil Thrower (Right Hand)	1
6	A30151006	Oil Thrower (Left Hand)	1
7	—	—	—
8	A30271007	Fluid Coupling (Driven)	1
9	A30151009	Coupling Cover	1
10	A30151011	Evacuation Adaptor	1
11	A26002018	Plug ¼ BSP	1
12	—	Motor (see label)	1
13	A20001096	Label	1
14	A20405001	Inner Ring	4
15	A20403009	Bearing	2
16	A20402010	Bearing	2
17	A29416001	Sight Glass Bezel	2
18	A22302005	Dust Seal	4
19	A22302015	Filter	11
20	A22302016	Filter	2
21	A22903013	Gears	1 Pair
22	A24301005	Key	1
23	—	—	—
24	A25942001	Cover Plate	1
25	A25970007	Coupling Baffle	1
26	A25970008	Oil Reservoir Cover	1
27	A25971002	Seal Retainer	2
28	A25971016	Bearing Retainer	1
29	A25976001	Sight Glass Reflector	2
30	A26002023	Plug 1in BSP	1
31	A26002021	Plug ½ BSP	4
32	A26401063	Rotor	2
33	A26407002	Thrust Ring	1
34	A26407003	Thrust Ring	2
35	A26407004	Thrust Ring	2
36	A26440001	Locking Element (ring feeder)	2 Pairs
37	A27159500	Gasket	1
38	A25970056	Baffle Plate	1
39	A27801001	Clamp Ring	2
40	A27801006	Sleeve (Soft)	2
41	H02104002	Rubber Bonded Seal ¼in BSP	1
42	A27820008	Compression Ring	2
43	A29201004	Sight Glass	2
44	A26407011	Thrust Ring	2

**EH500A Mechanical Booster Pump — Parts List (continued)**

Item No.	Code No.	Description	Quantity
45	A26407015	Spacer	2
46	A30251006	Fluid Coupling (driver)	1
47	A30154001	Coupling Enclosure (60Hz Fomblin)	1
—	A30152001	Coupling Enclosure (60Hz)	1
—	A30252002	Coupling Enclosure (50Hz Fomblin)	1
—	A30151010	Coupling Enclosure (50Hz)	1
48	H02104004	Seal ½in BSP	2
49	H02109047	Washer	2
50	H02109052	T.F.E. lipseal	4
51	H02109065	'Spiroseal' (Viton)	3
52	H02109075	'Simrit' Seal	3
53	H02120061	'O'-ring	4
54	H02120099	'O'-ring	1
55	H02120112	'O'-ring	1
56	H02125028	'O'-ring	4
57	H02125121	'O'-ring	2
58	A27165008	Shim 0.20mm thick	As required
59	A27165009	Shim 0.25mm thick	As required
60	A27165010	Shim 0.35mm thick	As required
61	A27165011	Shim 0.40mm thick	As required
62	A27165018	Shim 0.3mm thick	As required
63	211430301	Rivet ('Chobert')	4
64	211174033	Spring Pin	2
65	212192016	Taper Pin	2
66	212192026	Taper Pin	2
67	218002328	Screw M5	3
68	218032288	Screw M4	4
69	218032328	Screw M5	14
70	218032330	Screw M5	6
71	218032369	Screw M6	8
72	218072413	Screw M8	12
73	218042287	Screw M4	9
74	218091371	Screw M6	11
75	218091372	Screw M6	17
76	218091375	Screw M6	13
77	218091412	Screw M8	2
78	218091452	Screw M10	6
79	218980210	Washer M8	12
80	218980211	Washer M10	4
81	218984011	Washer M10	4
82	218984728	Washer	8
83	C03400005	Union Nut ½in	2
84	C03400007	Union Alternative Body ½in	2
85	C03400011	Union Blind Tailpiece	2

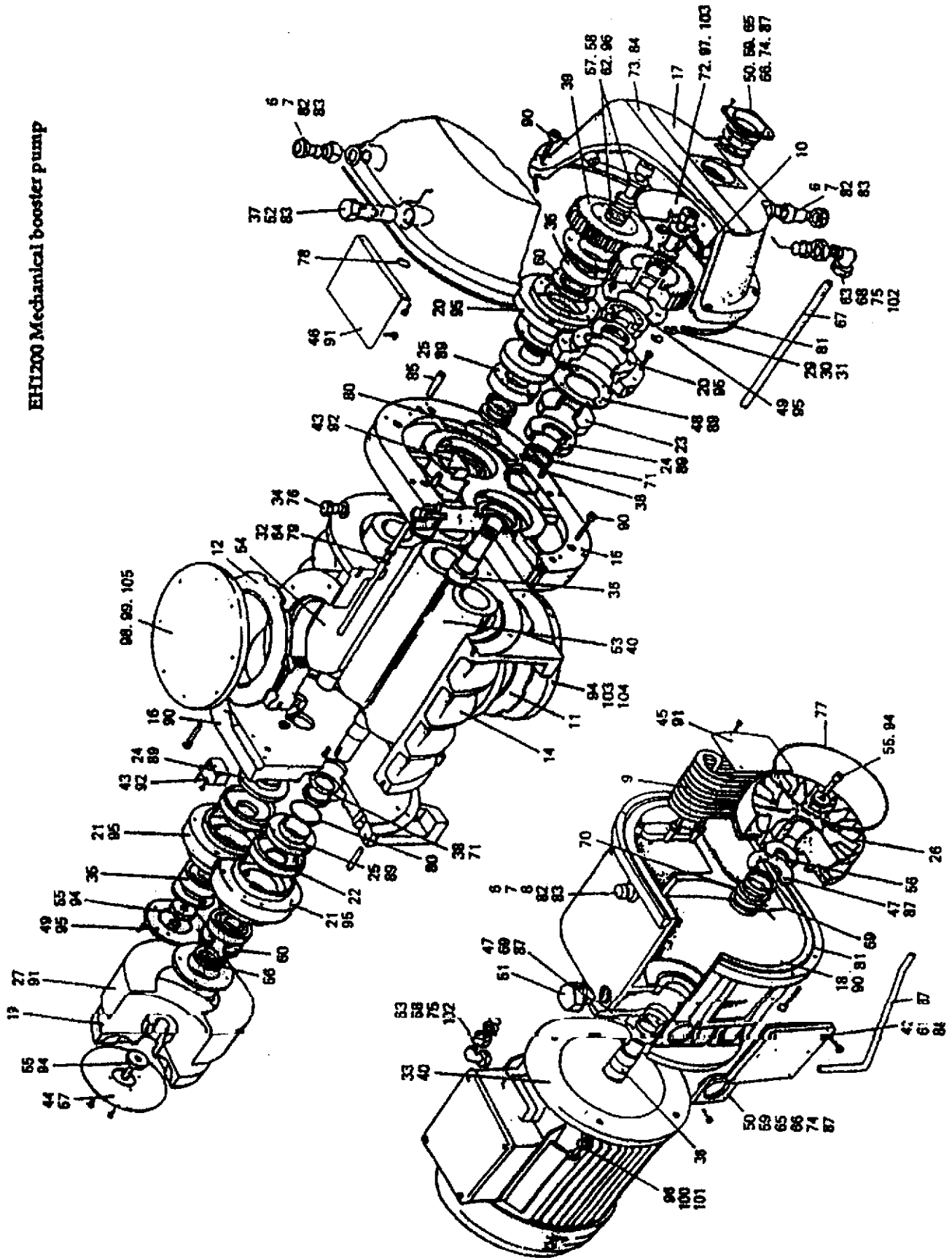
PARTS LIST

BH500A Mechanical Booster Pump — Parts List (continued)

Item No.	Code No.	Description	Quantity
86	C10007040	Blanking Flange	1
87	C10009040	Blanking Flange	1
88	B27158063	'Co-seal' Assembly 63mm	1
89	B27158070	'Co-seal' Assembly 100mm	1
90	218790005	Eyebolt M12	2
91	A26002009	Plug 1/8in BSP	4
⑨2	H02121009	'O'-ring (Viton)	4
*100	A24601003	Nipple 3/8in BSP	1

\*LUBRICATING PURPOSES ONLY

EH1200 Mechanical booster pump



PARTS LIST

EH1200 Mechanical Booster Pump — Parts List

Item No.	Code No.	Description	Quantity
1	—	—	—
2	—	—	—
3	—	—	—
4	—	—	—
5	—	—	—
6	C03400007	Alternative Body	4
7	C03400011	Blind Tailpiece	4
8	C03400005	Union Nut	4
9	A30551010	Cooling Coil, Coupling Cover	1
10	A30551011	Cooling Coil, Gear Cover	1
11	B27158070	100mm Co-Seal Assembly Pack	1
12	B27158074	160mm Co-Seal	1
13	—	—	—
14	A30551001	Stator	1
15	A30551002	Headplate — Gear End	1
16	A30551003	Headplate — Coupling End	1
17	A30551004	Gear Cover	1
18	A30551005	Coupling Cover	1
19	A30551007	Fluid Coupling — Driven Half	1
20	A30551016	Bearing Carrier — Gear End	2
21	A30551017	Bearing Carrier — Coupling End	2
22	A30551018	Throw Ring — Coupling End	2
23	A30551019	Throw Ring — Gear End	2
24	A30551020	Seal Carrier — Left Hand	2
25	A30551021	Seal Carrier — Right Hand	2
26	A30551006	Fluid Coupling — Driver	1
27	A30551009	Coupling Enclosure	1
28	—	—	—
29	A27165001	Shim — 0.05mm thickness	As required
30	A27165002	Shim — 0.10mm thickness	As required
31	A27165003	Shim — 0.25mm thickness	As required
32	A26406001	Spacer	2
33	A07114001	Motor	1
34	A09800087	Plug — 1/4in BSP	1
35	A20403007	Ball Bearing	4
36	A20405002	Inner Ring	7
37	A22302007	Filter	1
38	A22302008	Dust Seal	4
39	A22903005	Gears	1 pair
40	A24301006	Key	2
41	—	—	—
42	A25942002	Cover Plate	1
43	A25970021	Evacuation Baffle	2
44	A25970010	Coupling Baffle	1

## EH1200 Mechanical Booster Pump — Parts List (continued)

Item No.	Code No.	Description	Quantity
45	A25970011	Oil Reservoir Cover	1
46	A25970012	Gear Cover Baffle	1
47	A25971005	Seal Retainer	2
48	A25971006	Retainer (2 halves)	2
49	A25971007	Bearing Retainer	4
50	A25976001	Sight Glass Reflector	3
51	A26002002	Plug — 1in BSP	1
52	A26002003	Plug — 1/2in BSP	1
53	A26401018	Rotor — Driver	1
54	A26401019	Rotor — Driven	1
55	A26407005	Thrust Ring	3
56	A26407006	Thrust Ring	2
57	A26407007	Thrust Ring	2
58	A26440002	Locking Element — Ringfeder	4 pairs
59	A26501011	Sight Glass Rubber	3
60	218985236	Disc Spring	12
61	A27159501	Gasket	1
62	A27801002	Clamp Ring	2
63	A27802003	Cooling Coil Spacer	4
64	A27804002	Evacuation Tube	1
65	A29201004	Sight Glass	3
66	A30251019	Sight Glass Bezel	3
67	A27843011	Tube	1
68	H03505111	Stud Elbow	2
69	H02109048	'Spiroseal'	3
70	H02109049	Back-up Washer	2
71	H02109053	Lipseal	4
72	A25970018	Oil Splasher	1
73	A20001060	Label	1
74	H02120023	'O'-ring	3
75	H02125260	'O'-ring	4
76	H02120034	'O'-ring	1
77	H02120104	'O'-ring	1
78	H02120011	'O'-ring	1
79	H02120031	'O'-ring	2
80	H02120051	'O'-ring	4
81	H02120159	'O'-ring	2
82	H02105121	'O'-ring	4
83	H02104004	Bonded Seal	5
84	A09402040	Rivet	6
85	212191043	Taper Pin	4
86	—	—	—
87	218032328	Screw M5 x 10mm	21
88	218032330	Screw M5 x 16mm	8

PARTS LIST

EH1200 Mechanical Booster Pump — Parts List (continued)

Item No.	Code No.	Description	Quantity
89	218091288	Screw M4 x 10mm	28
90	218091412	Screw M8 x 25mm	40
91	218002328	Screw M5 x 10mm	13
92	218002286	Screw M4 x 6mm	6
93	218002368	Screw M6 x 10mm	1
94	218072413	Screw M8 x 30mm	11
95	218002371	Screw M6 x 20mm	32
96	218072493	Screw M12 x 30mm	6
97	218072409	Screw M8 x 12mm	4
98	218072454	Screw M10 x 35mm	8
99	218980211	Plain Washer M10	8
100	218980212	Plain Washer M12	4
101	218984012	Shakeproof Washer M12	4
102	M01500011	Locknut 3/4in BSP	4
103	218980210	Plain Washer M8	12
104	C10009040	Blanking Flange ISO100	1
105	C10011040	Blanking Flange ISO160	1