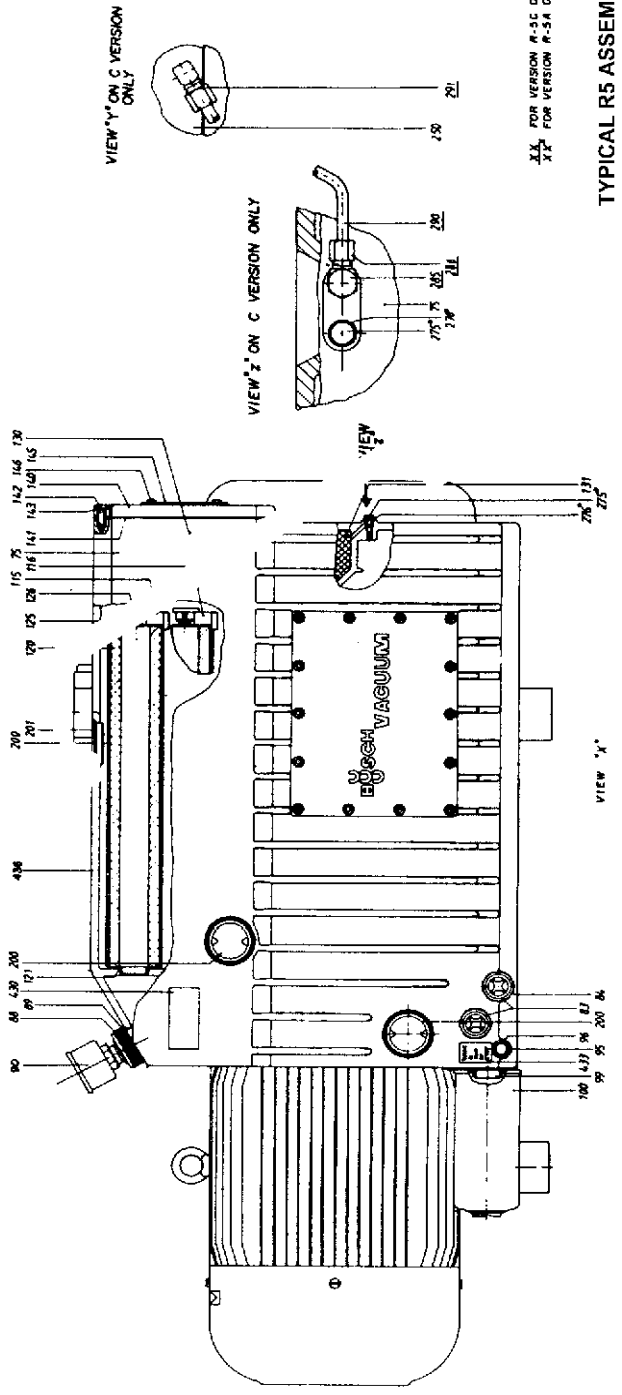
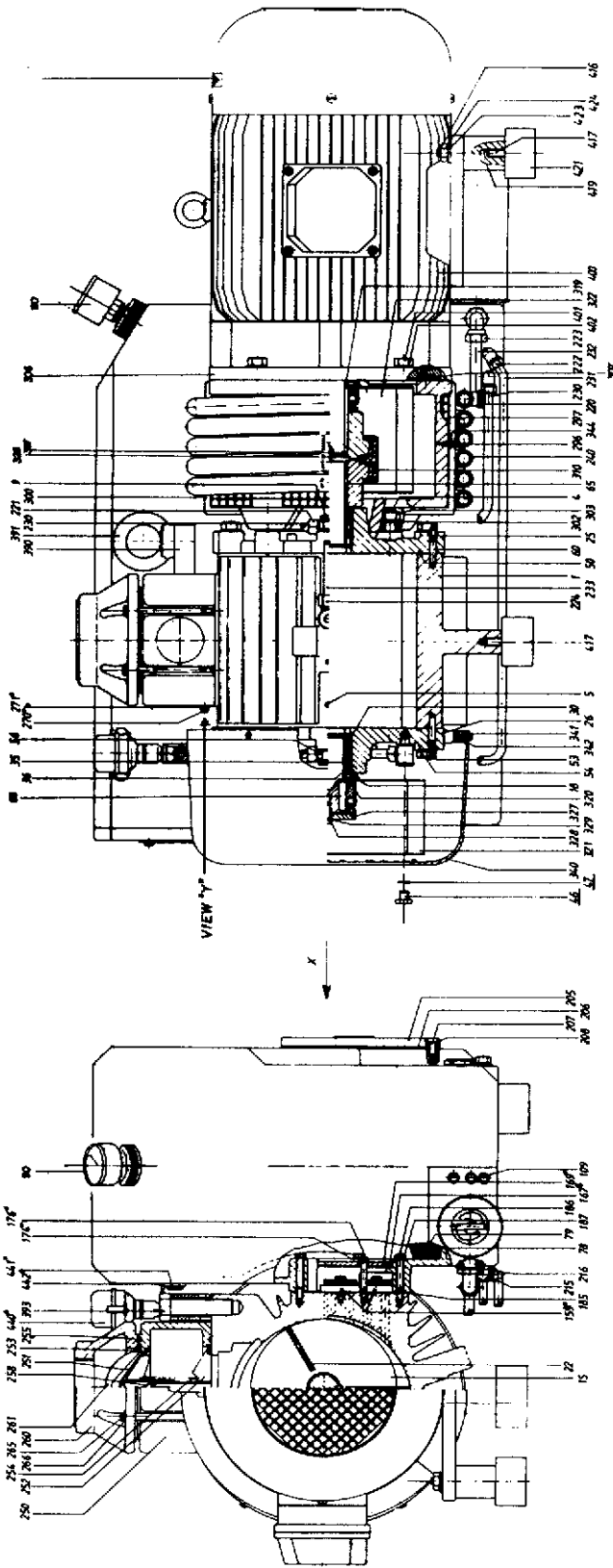


XX for version R5C only
 XX for version R5A only
TYPICAL R5 ASSEMBLY 160/850
MODEL 250 SHOWN E1009A

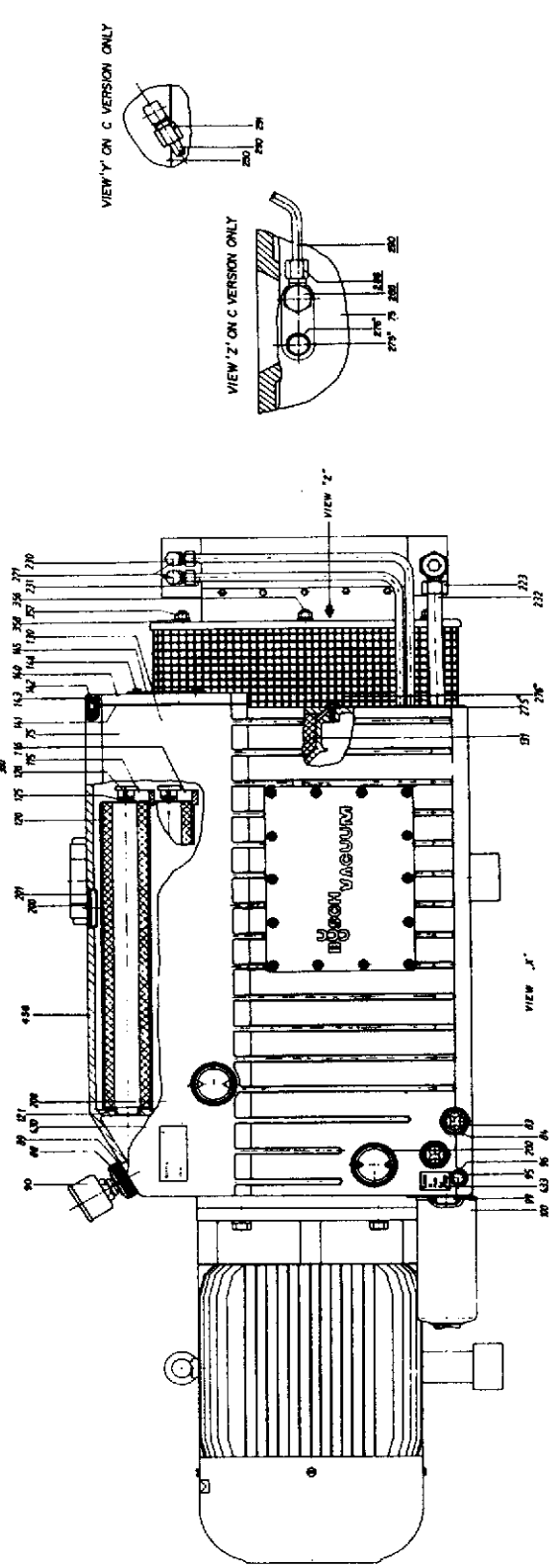
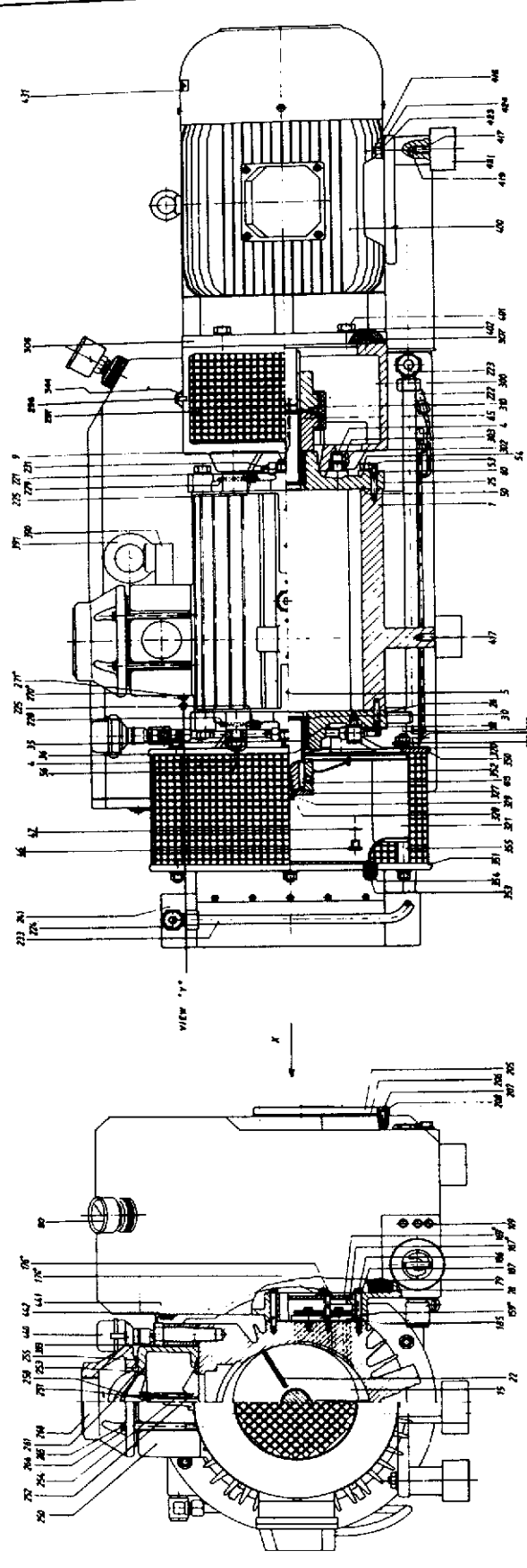


VIEW 'Y' ON C VERSION ONLY

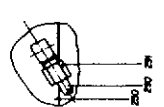
VIEW 'Z' ON C VERSION ONLY

XX FOR VERSION R-5C ONLY
 XX FOR VERSION R-5A ONLY

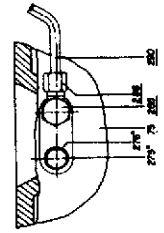
TYPICAL R5 ASSEMBLY
 400



VIEW 'Y' ON C VERSION ONLY



VIEW 'Z' ON C VERSION ONLY

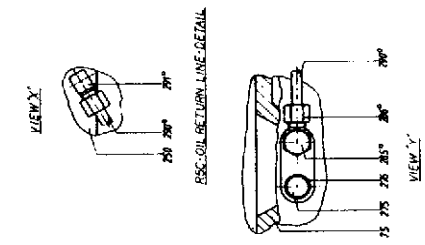
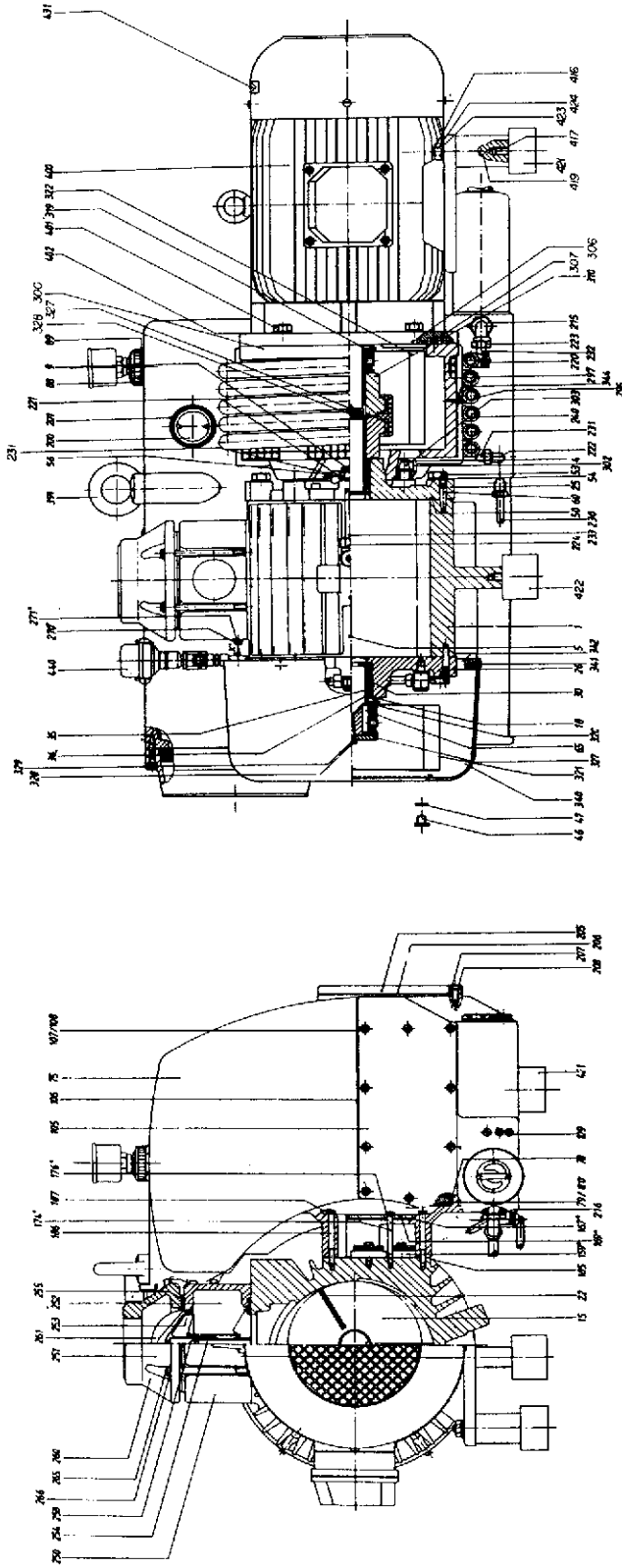


SEE FIG. 2 FOR VERSION P-8C ONLY
 SEE FIG. 3 FOR VERSION P-5A ONLY

TYPICAL R5 ASSEMBLY

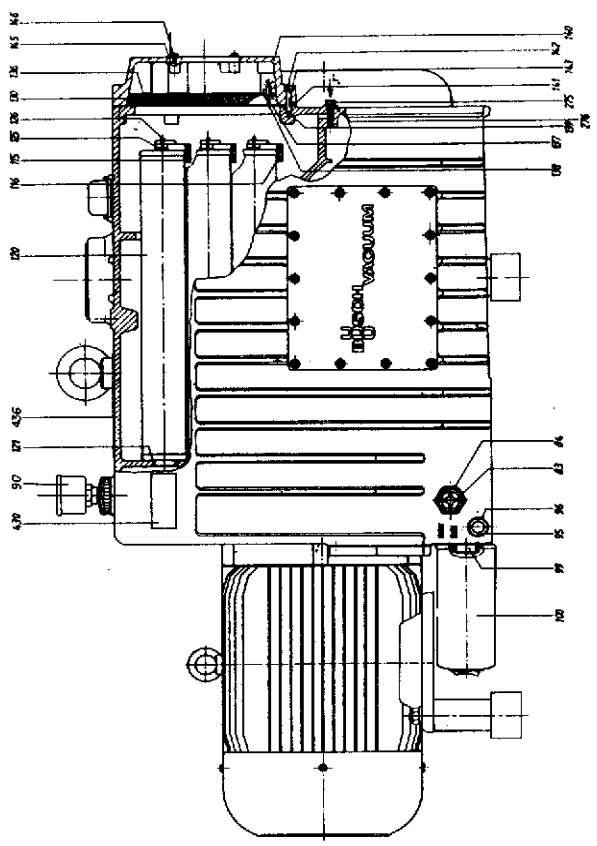
TYPICAL R 5 160/250-400/630 ASSEMBLY BY REFERENCE NUMBER (OLD TYPE)

Ref. No.	Description	Ref. No.	Description	Ref. No.	Description	Ref. No.	Description
1	Pump Cylinder	125	Filter Spring Assembly	233	Oil Tubing	328	Hex Head Cap Screw
4	Stud	126	Slotted Cheese Head Machine Screw	240	Cooling Coil	329	Lockwasher
5	Slotted Set Screw	130	Baffle Strainer	241	Oil Cooler	340	Fan Cover
9	Stud	131	Foam Block	250	Inlet Flange, Lower Housing	341	Sheet Metal Screw
15	Rotor	140	Cover Plate	251	Valve Plate	342	Plastic Sleeve
18	Bearing Sleeve	141	Gasket	252	Valve Guide	344	Bevelled Washer
22	Vane	142	Socket Head Cap Screw	253	O-Ring, Buna	350	Center Ring, Cover Plate Side
25	Endplate, Motor Side (A)	143	Lockwasher	254	Spring	351	Center Ring, Radiator Side
26	Endplate, Oppos. Motor Side (B)	145	Cover Plate (Screen)	255	O-Ring, Buna	352	Fan Guard
30	Bearing	146	Hex Head Cap Screw	258	Rubber Ball	253	Hex Head Cap Screw
35	Shaft Seal, Viton	159	Exhaust Valve Complete	260	Inlet Flange, Upper Housing	354	Hex Nut
36	Shaft Seal, Buna	167	Gasket Ring, Buna	261	Inlet Screen (Conical)	355	Distance Bolt
46	Plug	169	Valve Cover Plate	265	Hex Head Cap Screw	356	Bolt
47	Gasket Ring	174	Hex Head Cap Screw	266	Lockwasher	357	Hex Nut
50	O-Ring, Buna	176	Lockwasher	270	Plug	358	Lockwasher
53	Hex Head Cap Screw	185	Gasket-Cylinder/Exh. Box	271	Gasket Ring	359	Mounting Bracket
54	Lockwasher	186	Hex Head Cap Screw	275	Oil Return Valve	360	Cheese Head Cap Screw
56	Hex Nut	187	Lockwasher	276	Gasket Ring	361	Tube Clamp
60	Taper Pin	200	Drum Plug	285	Oil Recirculation Screw	390	Adaptor for Eye Bolt
65	Shaft Key	201	O-Ring, Viton	286	Banjo Fitting Housing	391	Eye Bolt
75	Pump Exhaust Box	205	Cover Plate	290	Oil Return Line	393	Hex Head Cap Screw
78	Sheet Metal Baffle	206	Gasket	291	Hydraulic Fitting	400	Motor
79	Steel Demister	207	Socket Head Cap Screw	296	Flat Head Screw	401	Hex Head Cap Screw
83	Oil Sight Glass	208	Lockwasher	297	Screen	402	Lockwasher
84	Gasket Ring	215	Reducing Nipple	300	Motor Mounting Bracket	416	Stud
88	Oil Fill Plug	216	Gasket Ring	302	Lockwasher	417	Slotted Set Screw
89	Gasket Ring	220	Hydraulic Fitting, Straight	303	Hex Nut	419	Spacer
90	Pressure Gauge	221	Hydraulic Fitting, Elbow	306	Adapter Flange	421	Rubber Foot
95	Oil Drain Plug	222	Hydraulic Fitting, Elbow	307	Socket Head Cap Screw	423	Lockwasher
96	O-Ring, Buna	223	Hydraulic Fitting, Elbow	310	Coupling Half, Pump Side	424	Hex Nut
99	Pipe Nipple	224	Hydraulic Fitting, Elbow	310	Coupling Half, Motor Side	430	Name Plate
100	Automotive-Type Oil Filter	225	Hydraulic Fitting, Straight	319	Coupling Insert	431	Directional Arrow
109	Socket Set Screw	228	Oil Tubing	320	Spacer	433	Oil Level Label
114	Support Frame	229	Oil Tubing	321	Fan	436	Maintenance Label
115	Filter Bracket	230	Oil Tubing	322	Fan, Motor Shaft End	440	Gas Ballast Valve Complete
116	Filter Bracket	231	Oil Tubing	327	Locking Disc	441	Hex Head Cap Screw
120	Exhaust Filter	232	Oil Tubing	328	Flat Socket Head Cap Screw	442	Lockwasher
121	O-Ring, Buna						



SEE FIG. 1 FOR SECTION 404 ONLY
 SEE FIG. 1 FOR SECTION 405 ONLY

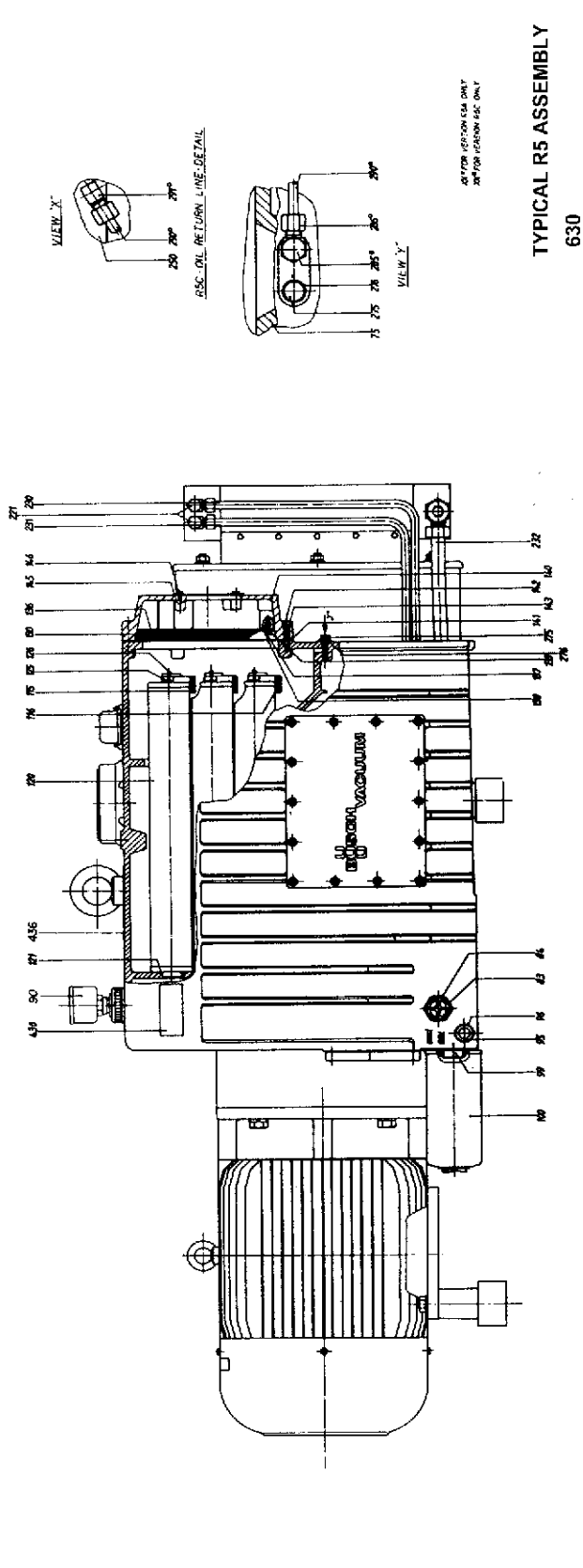
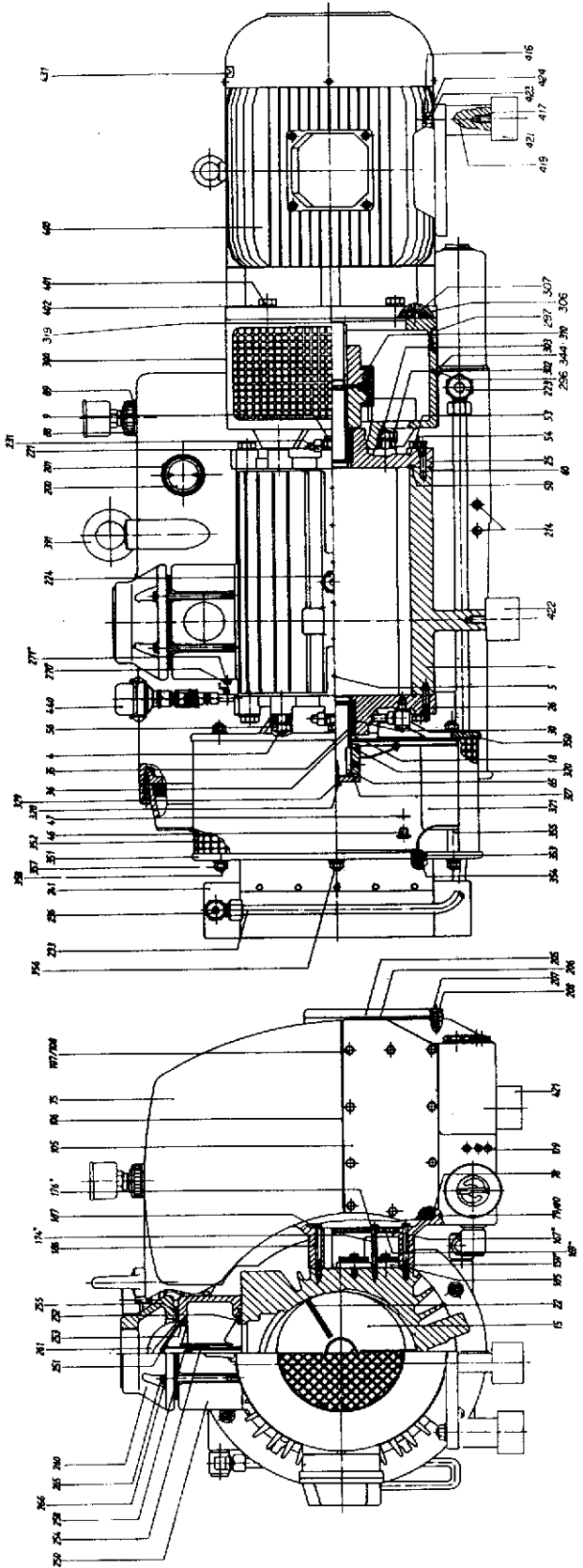
TYPICAL R5 ASSEMBLY
400



TYPICAL R 5 400 ASSEMBLY BY REFERENCE NUMBER (S/N C-0350/23000 and up)

Ref. No.	Description	Ref. No.	Description	Ref. No.	Description	Ref. No.	Description
1	Pump Cylinder	107	Socket Head Cap Screw	215	Reducing Nipple	303	Hex Nut
4	Stud	108	Lockwasher	216	Gasket Ring	306	Adapter Flange
5	Slotted Set Screw	109	Socket Set Screw	220	Hydraulic Fitting, Straight	307	Socket Head Cap Screw
9	Stud	115	Filter Bracket	221	Hydraulic Fitting, Elbow	310	Coupling Half, Pump Side
15	Rotor	116	Filter Bracket	222	Hydraulic Fitting, Elbow	310	Coupling Half, Motor Side
18	Bearing Sleeve	120	Exhaust Filter	223	Hydraulic Fitting, Straight	310	Coupling Insert
22	Vane	121	O-Ring, Buna	224	Hydraulic Fitting, Elbow	319	Spacer
25	Endplate, Motor Side (A)	125	Filter Spring Assembly	230	Oil Tubing	320	Spacer
26	Endplate, Oppos. Motor Side (B)	126	Slotted Cheese Head Machine Screw	231	Oil Tubing	321	Fan
30	Bearing			232	Oil Tubing	322	Fan, Motor Shaft End
35	Shaft Seal, Viton	130	Baffle Strainer	233	Oil Tubing	327	Locking Disc
36	Shaft Seal, Buna	136	Perforated Sheet Metal	240	Cooling Coil	328	Flat Socket Head Cap Screw
46	Plug	137	Hex Head Cap Screw	250	Inlet Flange, Lower Housing	328	Hex Head Cap Screw
47	Gasket Ring	138	Washer	251	Valve Plate	329	Lockwasher
50	O-Ring, Buna	139	Lockwasher	252	Valve Guide	340	Fan Cover
53	Hex Head Cap Screw	140	Cover Plate	253	O-Ring, Buna	341	Sheet Metal Screw
54	Lockwasher	141	Gasket	254	Spring	342	Plastic Sleeve
56	Hex Nut	142	Socket Head Cap Screw	255	O-Ring, Buna	344	Bevelled Washer
60	Taper Pin	143	Lockwasher	258	Rubber Ball	391	Eye Bolt
65	Shaft Key	145	Cover Plate (Screen)	260	Inlet Flange, Upper Housing	400	Motor
75	Pump Exhaust Box	146	Hex Head Cap Screw	261	Inlet Screen (Conical)	401	Hex Head Cap Screw
78	Sheet Metal Baffle	159	Exhaust Valve Complete	265	Hex Head Cap Screw	402	Lockwasher
79	Steel Demister	167	Gasket Ring, Buna	266	Lockwasher	416	Stud
80	Perforated Sheet Metal	169	Valve Cover Plate	270	Plug	417	Slotted Set Screw
83	Oil Sight Glass	174	Hex Head Cap Screw	271	Gasket Ring	419	Spacer
84	Gasket Ring	176	Lockwasher	275	Oil Return Valve	421	Rubber Foot
88	Oil Fill Plug	185	Gasket-Cylinder/Exh. Box	276	Gasket Ring	422	Rubber Foot
89	Gasket Ring	186	Hex Head Cap Screw	285	Oil Recirculation Screw	423	Lockwasher
90	Pressure Gauge	187	Lockwasher	286	Banjo Fitting Housing	424	Hex Nut
95	Oil Drain Plug	200	Drum Plug	290	Oil Return Line	430	Name Plate
96	O-Ring, Buna	201	O-Ring, Viton	291	Hydraulic Fitting	431	Directional Arrow
99	Pipe Nipple	205	Cover Plate	296	Flat Head Screw	436	Maintenance Label
100	Automotive-Type Oil Filter	206	Gasket	297	Screen	440	Gas Ballast Valve Complete
105	Cover Plate	207	Socket Head Cap Screw	300	Motor Mounting Bracket	441	Hex Head Cap Screw
106	Gasket	208	Lockwasher	302	Lockwasher	442	Lockwasher

Dwg. No. E 1016 A



FOR USE WITH R5C ONLY
 NOT FOR USE WITH R5C ONLY

TYPICAL R5 ASSEMBLY
 630

TYPICAL R 5 630 ASSEMBLY BY REFERENCE NUMBER (S/N C-0350/23000 and up)

Ref. No.	Description	Ref. No.	Description	Ref. No.	Description	Ref. No.	Description
1	Pump Cylinder	108	Lockwasher	222	Hydraulic Fitting, Elbow	310	Coupling Half, Motor Side
4	Stud	109	Socket Set Screw	223	Hydraulic Fitting, Elbow	310	Coupling Insert
5	Slotted Set Screw	115	Filter Bracket	224	Hydraulic Fitting, Elbow	319	Spacer
9	Stud	116	Filter Bracket	230	Oil Tubing	320	Spacer
15	Rotor	120	Exhaust Filter	231	Oil Tubing	321	Fan
18	Bearing Sleeve	121	O-Ring, Buna	232	Oil Tubing	327	Locking Disc
22	Vane	125	Filter Spring Assembly	233	Oil Tubing	328	Hex Head Cap Screw
25	Endplate, Motor Side (A)	126	Slotted Cheese Head Machine Screw	236	Hydraulic Tubing, Elbow	329	Lockwasher
26	Endplate, Oppos. Motor Side (B)	130	Baffle Strainer	241	Oil Cooler	344	Bevelled Washer
30	Bearing	136	Perforated Sheet Metal	250	Inlet Flange, Lower Housing	350	Center Ring, Cover Plate Side
35	Shaft Seal, Viton	137	Hex Head Cap Screw	251	Valve Plate	351	Center Ring, Radiator Side
36	Shaft Seal, Buna	138	Washer	252	Valve Guide	352	Fan Guard
46	Plug	139	Lockwasher	253	O-Ring, Buna	353	Hex Head Cap Screw
47	Gasket Ring	140	Cover Plate	254	Spring	354	Hex Nut
50	O-Ring, Buna	141	Gasket	255	O-Ring, Buna	355	Distance Bolt
53	Hex Head Cap Screw	142	Socket Head Cap Screw	258	Rubber Ball	356	Bolt
54	Lockwasher	143	Lockwasher	260	Inlet Flange, Upper Housing	357	Hex Nut
56	Hex Nut	145	Cover Plate (Screen)	261	Inlet Screen (Conical)	358	Lockwasher
60	Taper Pin	146	Hex Head Cap Screw	265	Hex Head Cap Screw	391	Eye Bolt
65	Shaft Key	159	Exhaust Valve Complete	266	Lockwasher	400	Motor
75	Pump Exhaust Box	167	Gasket Ring, Buna	270	Plug	401	Hex Head Cap Screw
78	Sheet Metal Baffle	169	Valve Cover Plate	271	Gasket Ring	402	Lockwasher
79	Steel Demister	174	Hex Head Cap Screw	275	Oil Return Valve	416	Stud
80	Perforated Sheet Metal	176	Lockwasher	276	Gasket Ring	417	Slotted Set Screw
83	Oil Sight Glass	185	Gasket-Cylinder/Exh. Box	285	Oil Recirculation Screw	419	Spacer
84	Gasket Ring	186	Hex Head Cap Screw	286	Banjo Fitting Housing	421	Rubber Foot
88	Oil Fill Plug	187	Lockwasher	290	Oil Return Line	422	Rubber Foot
89	Gasket Ring	200	Drum Plug	291	Hydraulic Fitting	423	Lockwasher
90	Pressure Gauge	201	O-Ring, Viton	296	Flat Head Screw	424	Hex Nut
95	Oil Drain Plug	205	Cover Plate	297	Screen	430	Name Plate
96	O-Ring, Buna	206	Gasket	300	Motor Mounting Bracket	431	Directional Arrow
99	Pipe Nipple	207	Socket Head Cap Screw	302	Lockwasher	436	Maintenance Label
100	Automotive-Type Oil Filter	208	Lockwasher	303	Hex Nut	440	Gas Ballast Valve Complete
105	Cover Plate	214	Plug	306	Adapter Flange	441	Hex Head Cap Screw
106	Gasket	221	Hydraulic Fitting, Elbow	307	Socket Head Cap Screw	442	Lockwasher
107	Socket Head Cap Screw			310	Coupling Half, Pump Side		

Dwg. No. E 1017 A