

2 LCDP70 Dry Pump - Pump Module Parts List

LCDP70 Dry Pump - Pump Module Parts List

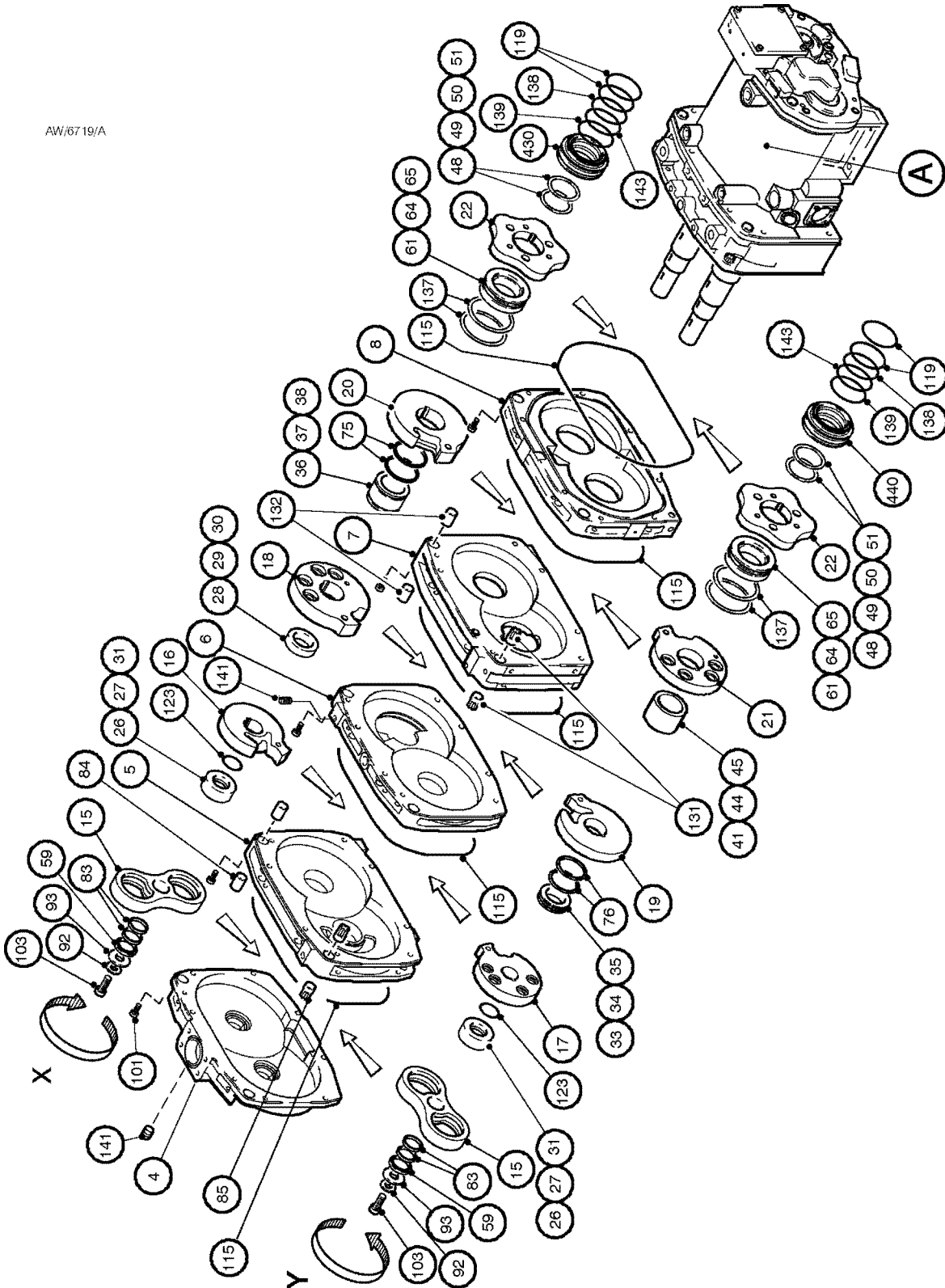


Figure 1 - Exploded View of the LCDP70 Dry Pump - Pump Module

Table 2 - LCDP70 Dry Pump - Pump Module Common Items Parts List

Ref	Description	Product Quantity	Packed Quantity	Item Number	Kit No(s)
A	Motor assembly	1		see Table 3	
4	H.V. stator (c iron)	1	1	A40802710	
5	2nd stage stator (c iron)	1	1	A40802711	
6	3rd stage stator (c iron)	1	1	A40802712	
7	4th stage stator (c iron)	1	1	A40802713	
8	L.V. stator (c iron)	1	1	A40802714	
15	H.V. rotor (c iron)	2	1	A40802723	
16	2nd stage rotor 'X' (c iron)	1	1	A40802724	
17	2nd stage rotor 'Y' (c iron)	1	1	A40802725	
18	3rd stage rotor 'X' (c iron)	1	1	A40802726	
19	3rd stage rotor 'Y' (c iron)	1	1	A40802727	
20	4th stage rotor 'X' (c iron)	1	1	A40802728	
21	4th stage rotor 'Y' (c iron)	1	1	A40802729	
22	L.V. rotor (c iron)	2	1	A40802730	
26	Sleeve 2nd stage 'Y' N- (c iron)	2	10	A40802717	
27	Sleeve 2nd stage 'Y' N+ (c iron)	2	10	A40802718	
28	Sleeve 3rd stage 'X' (c iron)*	1	10	A40802733	
29	Sleeve 3rd stage 'X' N- (c iron)*	1	10	A40802770	
30	Sleeve 3rd stage 'X' N+ (c iron)*	1	10	A40802771	
31	Sleeve 2nd stage 'Y' (c stl)*	2	10	A40802716	
33	Sleeve 3rd stage 'Y' (c iron)*	1	10	A40802734	
34	Sleeve 3rd stage 'Y' N- (c iron)*	1	10	A40802772	
35	Sleeve 3rd stage 'Y' N+ (c iron)*	1	10	A40802773	
36	Sleeve 4th stage 'X' (c iron)	1	10	A40802735	
37	Sleeve 4th stage 'X' N- (c iron)	1	10	A40802796	
38	Sleeve 4th stage 'X' (c iron)*	2	10	A40802797	
41	Sleeve 4th stage 'Y' (c iron)*	1	10	A40802736	
44	Sleeve 4th stage 'Y' N- (c iron)*	1	10	A40802798	
45	Sleeve 4th stage 'Y' N+ (c iron)*	1	10	A40802799	
48	Shim 0.04 thick (st stl)	2	30	A40802778	
49	Shim 0.07 thick (st stl)	2	10	A40802757	
50	Shim 0.10 thick (st stl)	2	10	A40802758	
51	Shim 0.125 thick (st stl)	2	10	A40802759	
59	Clamping disc (c stl)	2			1
61	Sleeve LV stage (c iron)	2	10	A40802740	
64	Sleeve LV stage N- (c iron)	2	10	A40802794	
65	Sleeve LV stage N+ (c iron)	2	10	A40802795	
75	Piston ring 64 dia (c iron)	2	10	A40801755	
76	Piston ring 57 dia (c iron)	2	10	A40801756	
83	Locking element 32 x 36 (c stl)	2			1
84	Dowel pin \AA 20mm (c stl)	5	1	A22425004	
85	Acorn dowel \AA 20mm (c stl)	5	1	A22425007	
92	Disc spring od 29 x id 13 x 3 (c stl)	2			1
93	Disc spring od 39 x id 17 x 4 (c stl)	2			1
101	Cap hd screw M8 x 25 (c stl)	31			
103	Cap hd screw HT NI M12 x 45 G 12-9	2	1	218092496	
115	'O' ring 278.0 id x 3.5 sect (fluoro)	5			1
119	'O' ring 49.35 id rect sec (fluoro)	4			2
123	'O' ring 1.234 id x 0.139 sect (fluoro)	2			1
131	Acorn dowel 20 dia x 36 lg	2	1	A22425011	
132	Dowel 20 dia x 36 lg	2	1	A22425012	
137	Sealing ring (68 dia)	4		A40802785	
138	'O' ring 80.0 id x 2.5 sect (fluoro)	2			1

Table 2 - LCDP70 Dry Pump - Pump Module Common Items Parts List

Ref	Description	Product Quantity	Packed Quantity	Item Number	Kit No(s)
139	'O' ring 84.0 id x 1.5 sect (fluoro)	2			1
141	1/8 inch BSP pressure plug	2	1	H03517004	
143	'O' ring 84.0 id x 2.5 sect (fluoro)	2			1
430	X Shaft seal assembly	1			3
440	Y Shaft seal assembly	1			3

3 LCDP70 Dry Pump - Drive Module Parts List

Figure 2 - Exploded View of the LCDP70 Dry Pump - Drive Module Assembly

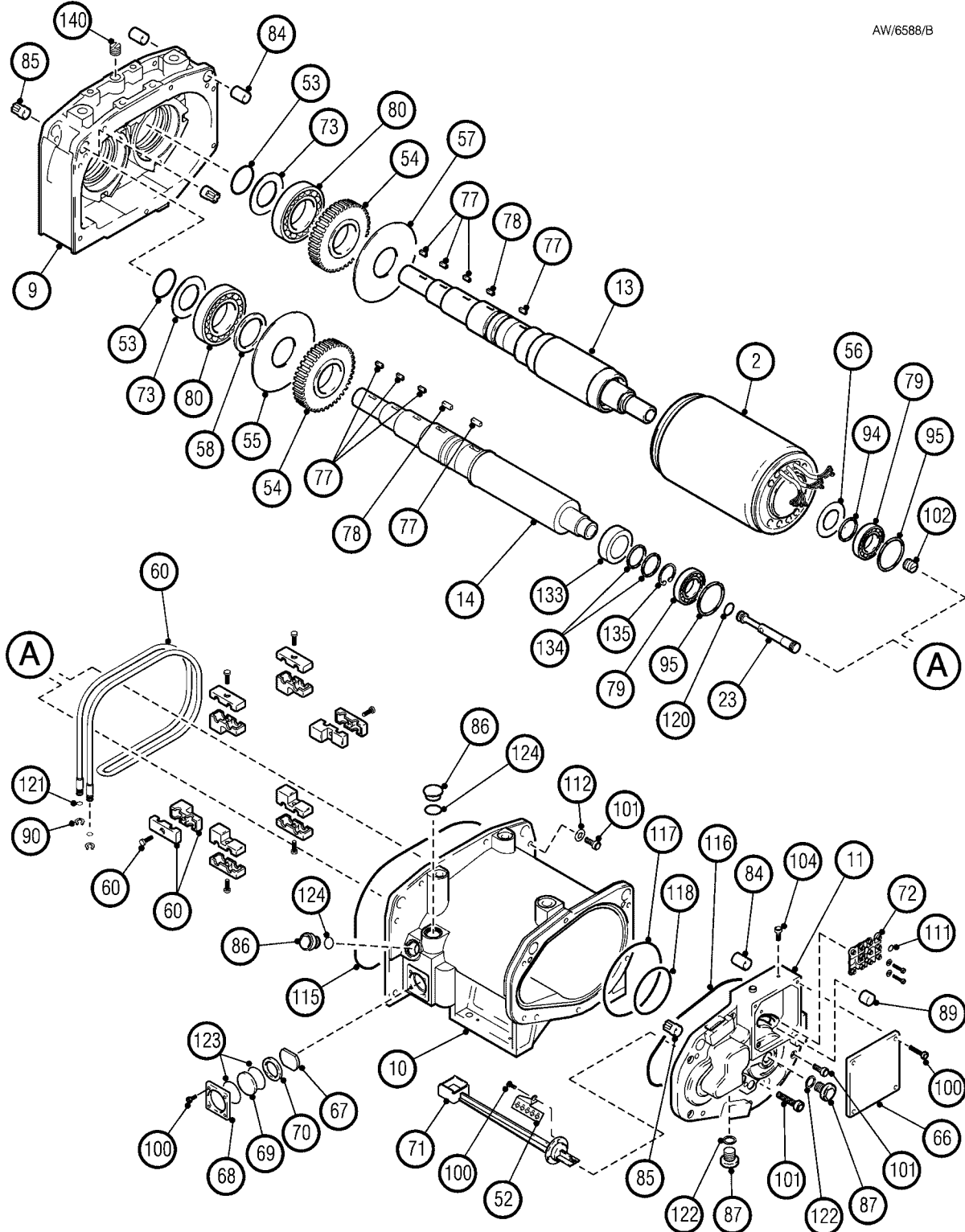


Table 3 - LCDP70 Dry Pump - Drive Module Common Items Parts List

Ref	Description	Product Quantity	Packed Quantity	Part Number	Kit No(s)
2	Motor assembly 1.85\2.2 kW	1	1	A07113717	
9	Headplate (c iron)	1	1	A40802715	
10	Gear cover (painted)	1	1	A40801786	
11	End cover (c iron)	1	1	A40801717	
13	'X' shaft (c stl)	1	1	A40802720	
14	'Y' shaft (c stl)	1	1	A40302722	
23	Transit plug	1	10	A40805716	
53	Seal	2			3
54	Timing gear (c stl)	2	2	A22903759	
55	Oil thrower 144 dia (gear) (m stl)	1	10	A40801747	
56	Oil thrower 63 dia (motor) (m stl)	1	10	A40801748	
57	Oil thrower 154 dia (m stl)	1	10	A40801760	
58	Gear spacer 'Y' shaft (m stl)	1	5	A40801749	
60	Headplate cooling assy	1	1	A40801702	
66	Terminal box lid (alum)	1	1	A40801051	
67	Sight glass reflector (st stl)	1	20	A25976701	
68	Sight glass bezel LCDP (plas)	1	10	A20416709	
69	Sight glass (glass)	1	20	A29201704	
70	Compression ring (st stl)	1	20	A27820708	
71	Oil feeder	1	10	A25908704	
73	Oil thrower (seal)	2			2
77	Non std 7/8 inch woodruff key	8	25	A24301740	
78	Non std 7/8 inch woodruff key tapped	2			1
79	Ball bearing 62 x 30 x 16	2			2
80	Ball bearing 100 x 55 x 21	2			2
84	Dowel pin \AA 20mm (c stl)	3	1	A22425004	
85	Acorn dowel \AA 20mm (c stl)	3	1	A22425007	
86	1/2 inch BSP plug (m stl)	2	1	A26002046	
87	3/8 inch BSP plug (m stl)	2	1	A26002048	
89	Silicon plug	1			2
90	Ext. circlip 18.2 od x 7.6 id	2			2
94	Waved spring od 42 x id 35 (c stl)	1	20	218984741	
95	Waved spring od 62 x id 55 (c stl)	2	20	218984742	
100	Pan hd screw M5 x 10 (st stl)	10			
101	Cap hd screw M8 x 25 (c stl)	17			
102	Cap Hd Screw 12 x 25 long (c stl)				
111	Washer plain M5	12			
112	Spring washer M8 (c stl)	7			
115	'O' ring 278.0 id x 3.5 sect (fluoro)	1			2
116	'O' ring 215.5 id x 3.5 sect (fluoro)	1			2
117	'O' ring 131.0 id x 3.5 sect (fluoro)	1			2
118	'O' ring 79.5 id x 3.0 sect (fluoro)	1			2
120	'O' ring 8 id x 3.5 sect (fluoro)	1			2
121	'O' ring 9.1 id x 1.6 sect (fluoro)	2			2
122	'O' ring 19.1 id x 1.6 sect (fluoro)	2			2
123	'O' ring 1.234 id x 0.139 sect (fluoro)	2			2
124	'O' ring 0.862 id x 0.103 sect (fluoro)	2			2
133	Spinning filter	1			2
134	'O' ring 32 id x 3 sect (fluoro)	2			2
135	Circlip 47.8 od x 33.2 id	1			2
140	3/8 inch BSP pressure plug	1			2

This page has been intentionally left blank.

4 Maintenance Kits

The maintenance kits available for the LCDP70 dry pump are listed in Table 4.

Table 4 - Maintenance Kits

Tables 2 and 3 Cross Ref	Description	Item Number
Kit 1	Pump module spares kit	A40802816
Kit 2	Pump drive spares kit	A40802806
Kit 3	Shaft seals spares kit	A40805820

Table 5 - Kit 1: Pump Module Spares Kit A40802816

Ref	Description	Quantity
59	Clamping disc	2
78	Non std 7/8 inch woodruff key tapped	2
83	Locking elements 32 x 36	2
92	Disc spring 29 od x 13 id x 3 sect	2
93	Disc spring 39 od x 17 id x 4 sect	2
115	'O' ring 278.0 id x 3.5 sect (fluoro)	5
123	'O' ring 1.234 id x 0.139 sect (fluoro)	2
138	'O' ring 80.0 id x 2.5 sect (fluoro)	2
139	'O' ring 84.0 id x 1.5 sect (fluoro)	2
143	'O' ring 84.0 id x 2.5 sect (fluoro)	2
421 *	'O' ring metal 31.41 od x 2.38 sect (metal)	1
843 *	'O' ring 3.1 id x 0.21 sect (fluoro)	1
881 *	'O' ring 49.5 id x 3.0 sect (fluoro)	1

* Usage of items not depicted in this manual. Please refer to Parts Manual iL Systems and Accessories, Publication Number A533-71-845 for further details.

Table 6 - Kit 2: Pump Drive Spares Kit A40802806

Ref	Description	Quantity
73	Oil thrower	2
79	Ball bearing 62 x 30 x 16	2
80	Ball bearing 100 x 55 x 21	2
90	Ext circlip 18.2 od x 7.6 id	2
115	'O' ring 2780-35 metric special (fluoro)	1
116	'O' ring 2155-35 metric special (fluoro)	1
117	'O' ring 1310-35 metric special (fluoro)	1
118	'O' ring 79.5 id x 3.0 sect (fluoro)	1
119	'O' ring 49.35 id rect (fluoro)	4
120	'O' ring 8.00 mm id x 3.5 sect (fluoro)	1
121	'O' ring 0091-16 (fluoro)	2
122	'O' ring 19.1 id x 1.6 sect (fluoro)	2
123	'O' ring 1.234 id x 0.139 sect (fluoro)	2
124	'O' ring 0.862 od x 0.103 sect (fluoro)	2
133	Spinning filter	1
134	'O' ring 32 id x 3 sect	2
135	Ext. Circlip 47.8 x 33.2 id	1
140	3/8 inch BSP pressure plug	2

Table 6 - Kit 2: Pump Drive Spares Kit A40802806

Ref	Description	Quantity
335 *	'O' ring 6.1 id x 1.6 sect (fluoro)	4
336 *	'O' ring 9.1 id x 1.6 sect (fluoro)	2
337 *	'O' ring 11.6 id x 1.6 sect (fluoro)	2
338 *	'O' ring 14.6 id x 2.4 sect (fluoro)	1

* Usage of items not depicted in this manual. Please refer to Parts Manual iL Systems and Accessories, Publication Number A533-71-845 for further details.

Table 7 - Kit 3: Shaft Seals Spares Kit A40805820

Ref	Description	Quantity
53	Seal	2
430	X shaft seal assembly	1
440	Y shaft seal assembly	1