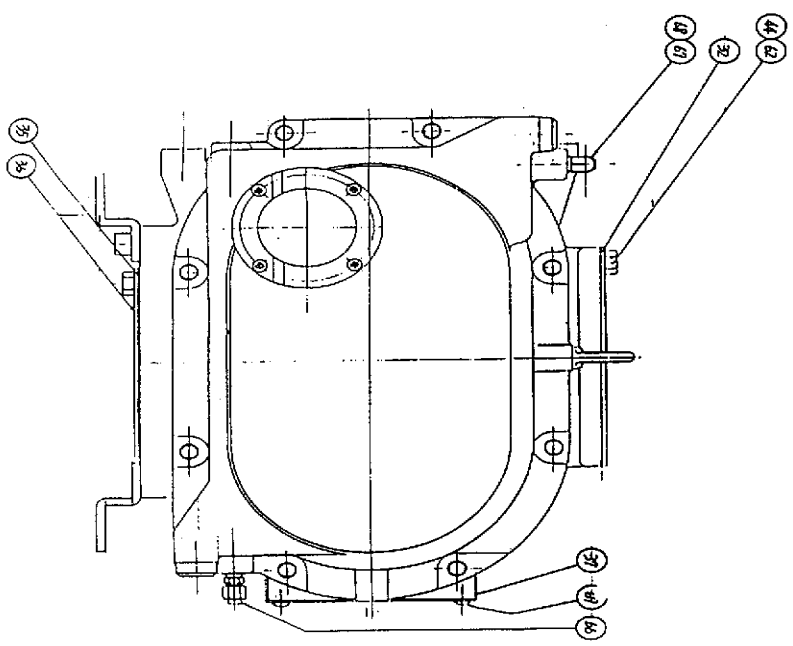


PBM-012C



PMB-012C P a r t s L i s t

No.	Description	Material *1	Q'ty	Remarks
1	Rotor casing	AC4A-T6	1	
2	Gear-side side cover	AC4A-T6	1	
3	Motor-side side cover	AC4A-T6	1	
4	Gear-side cover	AC4A-T6	1	
5	Motor-side cover	AC4A-T6	1	
6	Drive-side rotor shaft	AC4A-T6, S45C	1	
7	Driven-side rotor shaft	AC4A-T6, S45C	1	
8	Gear-side bearing case	FC25	2	
9	Motor-side bearing case	FC25	2	
10	Seal sleeve	SCM435H	4	
11	Slinger	S45C	4	
12	Bearing cap	S45C	2	
13	Spacer	SUS304	1 set	
14	Timing gear	SCM435H	2	
15	Thrust flange	S45C	2	
16	Oil stirring-up plate	A1000 type	2	
17	Oil trap cup	S45C	1	
18	Oil trap cover	AC4A-T6	1	
19	Oil trap labyrinth	A5000 type	1	
20	Oil trap flange (A)	AC4A-T6	1	
21	Oil trap plug (A)	A5000 type	1	
22	Oil level gauge	A5000 type	1	
23	Level gauge glass	Hard glass	1	
24	Level gauge packing	Non-asbestos	1	
25	Communicating pipe	SUS304	2	
26	Mechanical seal sleeve	S45C	1	
27	Sleeve nut	S45C	1	
28	Oil stirring-up plate sleeve	S45C	1	
29	Pump support	SS41	1 set	
30	Knock pin	S45C	6	
31	Coupling key	S45C	1 set	
32	Intake port blind plug	A1000 type	1	

No.	Description	Material *1	Q'ty	Remarks
33	Intake port mesh	SUS304	1	
34	Drain plug	A5000 type	6	
35	Exhaust port blind packing	NBR	1	
36	Exhaust port blind plug	A1000 type	1	
37	Nameplate	SPCC	2	
38	Coupling		1 set	ABSORLEX Mark II M90
39	Teflon seal		4	
40	Mechanical seal		1 set	
41	3.7kW motor		1	2P, 3.7 kW
42	Bearing	SUJ	4	6207 P5
43	Power lock		4 sets	PL030 × 035E
44	Helisert	SUS	9	M10 × 1. 5DNs
45	O-ring	Fluororubber	4	IS0278
46	O-ring	Fluororubber	1	V120
47	O-ring	Fluororubber	1	G85
48	O-ring	Fluororubber	1	G70
49	O-ring	Fluororubber	1	S34
50	O-ring	Fluororubber	1	P32
51	O-ring	Fluororubber	4	S32
52	O-ring	Fluororubber	6	P18
53	O-ring	Fluororubber	1	P16
54	O-ring	Fluororubber	4	P9
55	Eye bolt	SS41	2	M10
56	Allen screw (hexagon socket head cap screw)	SCM435	12	M6 × 14
57	Allen screw (hexagon socket head cap screw)	SCM435	56	M8 × 22
58	Allen screw (hexagon socket head cap screw)	SCM435	4	M10 × 28
59	Allen screw (hexagon socket head cap screw)	SCM435	4	M12 × 24
60	Allen screw (hexagon socket head cap screw)	SCM435	2	M12 × 40
61	Hexagon socket set screw	SCM435	1	M6 × 8

No.	Description	Material *1	Q'ty	Remarks
62	Hexagon head bolt	SS41	12	M10 × 10
63	Cross-recessed head machine screw	SUS	6	M6 × 8
64	Cross-recessed head machine screw	SUS	4	M6 × 20
65	Hexagon socket head tapped plug	SUS	3	PT3/8 (for hydraulic use)
66	Synflex joint	SUS	2	CIN-3/8-PT-3/8
67	Synflex joint	SUS	2	LIN-3/8-PT-3/8
68	Synflex tube	Nylon	1	N2-1-3/8
69	Cross-recessed head machine screw.	SS41	4	M6 × 6

*1 According to JIS standard.